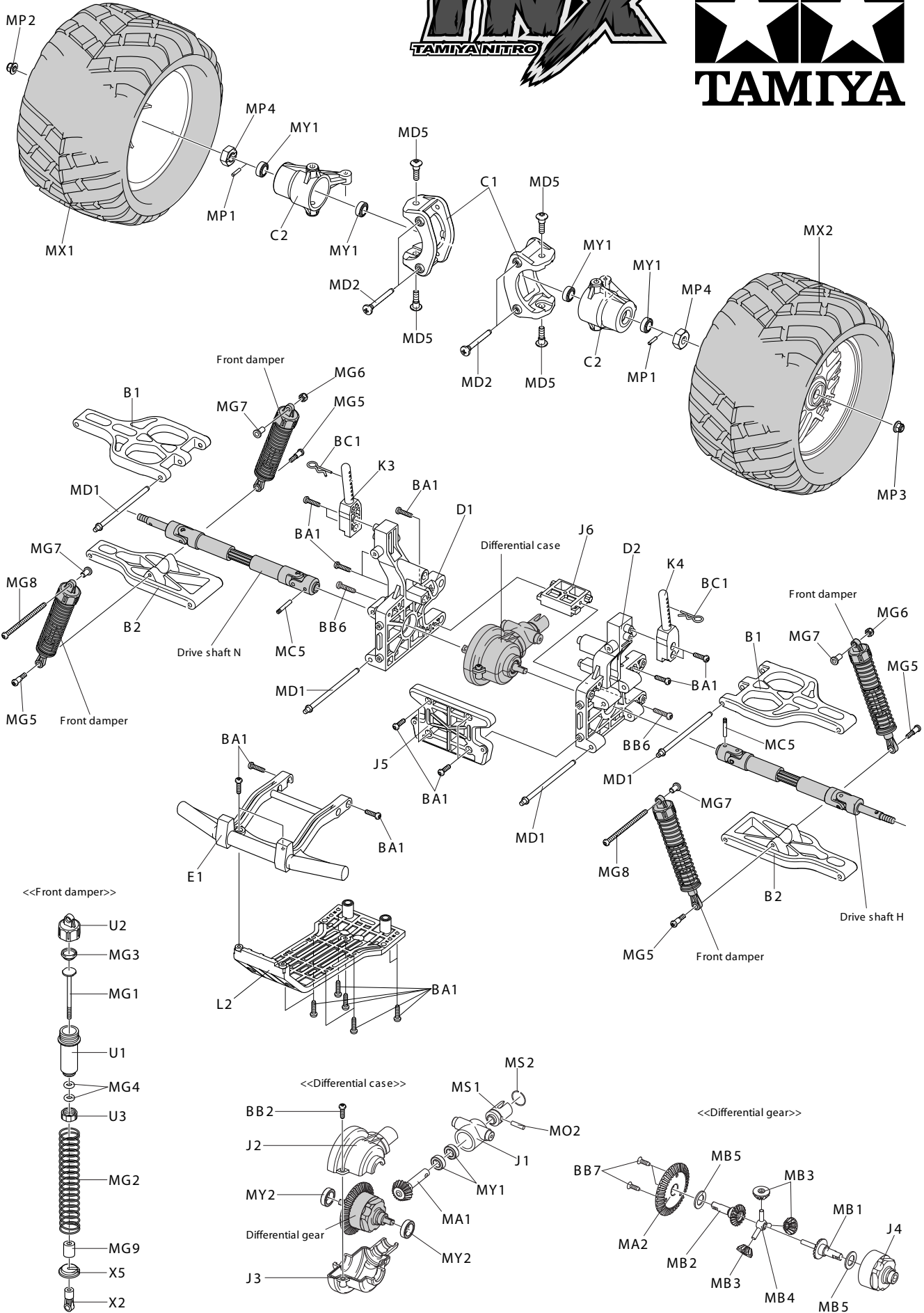
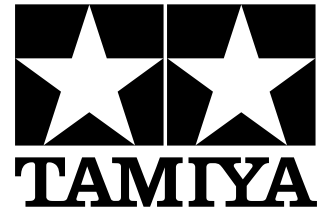
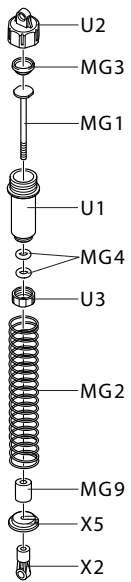


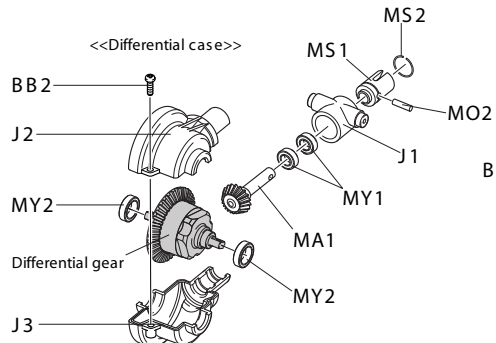
Parts Breakdown



<<Front damper>>



<<Differential case>>



<<Differential gear>>

