




Designed and Tested in the USA

TRF 801X

TAMIYA RACING FACTORY

★Photo shows prototype and may differ from final product.



 **ASSEMBLY KIT**

※Radio gear, wheels, tires, engine, manifold & pipe not included.
★Specifications are subject to change without notice.
★This is not a toy.

TAMIYA AMERICA, INC.



TAMIYA, INC.

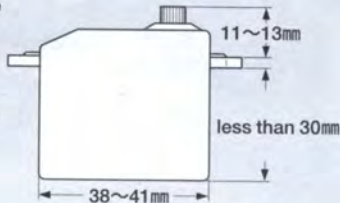
ITEMS REQUIRED

《RADIO CONTROL UNIT》

2-channel, 2-servo R/C unit for glow engine car is recommended for this model. Use servo with torque output over 6.5kg-cm.

★Refer to the instruction manual included with the R/C unit.

Suitable servo size



★Small size servo cannot be installed.

《GLOW ENGINE & MUFFLER》

Engines of 21-28 class displacements can be mounted on this chassis. Muffler and manifold are separately required.

《GLOW ENGINE FUEL & ENGINE STARTING EQUIPMENT》

Use only glow engine fuel. To ensure top performance and protection of your engine, use glow engine fuel Tamiya TG-Fuel Super. Engine starter box and engine starting equipment are necessary for starting engine. They will allow easy starting and operation of your engine.

《TIRES & WHEELS》

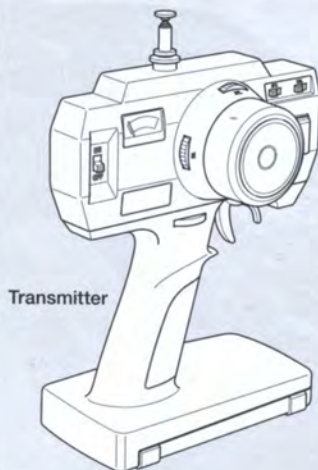
Tires and wheels are not included in this kit. 1/8 scale buggy tires and 0 offset wheels for 17mm wheel hubs are separately available. Wheels wider than 1.75 inches are not compatible.

Polycarbonate paints

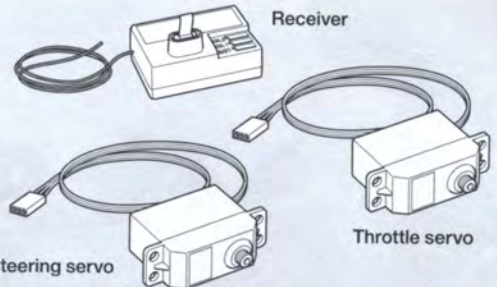
★Prepare polycarbonate paints to paint body as you wish.



2-channel, 2-servo R/C unit



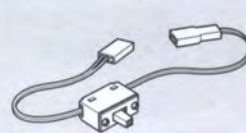
Transmitter



Receiver

Steering servo

Throttle servo



Receiver switch

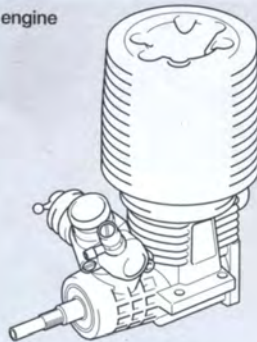


Receiver battery

Batteries for transmitter and plug heater

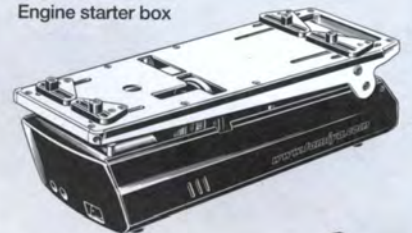


Glow engine

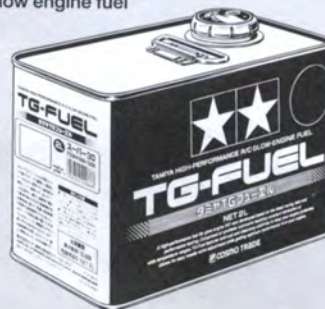


★Please use a muffler and manifold that is appropriate for your engine.

Engine starter box



Glow engine fuel



Tamiya engine treatment spray



Glow plug heater / Fuel filler

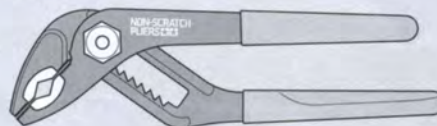


TOOLS RECOMMENDED

TRF grub driver (1.5mm, 2mm, 2.5mm)



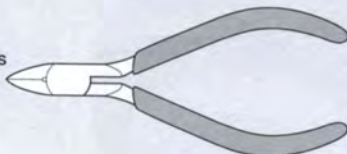
Non-scratch pliers



Tweezers



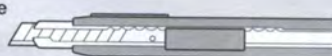
Side cutters



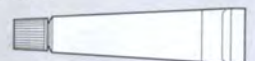
Instant cement



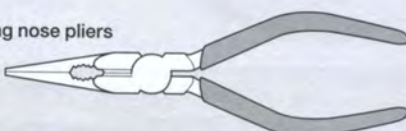
Modeling knife



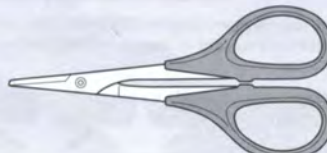
Synthetic rubber cement



Long nose pliers



Scissors



★Assembly of this kit will also require a caliper, + screwdriver (large, small), - screwdriver (small) and a pin vise. A file and soft cloth will also assist in construction.



CAUTION

- Read carefully and fully understand the instructions before commencing assembly. A supervising adult should also read the instructions if a child assembles the model.
- When assembling this kit, tools including knives are used. Extra care should be taken to avoid personal injury.
- Read and follow the instructions supplied with paints and/or cement, if used (not included in kit).
- Keep out of reach of small children. Children must not be allowed to put any parts in their mouths, or pull vinyl bags over their heads.



★ Study the instructions thoroughly before assembly.
 ★ There are many small screws, nuts and similar parts. Assemble them carefully referring to the drawings. To prevent trouble and finish the model with good performance, it is necessary to assemble each step exactly as shown.

Apply grease to the places shown by this mark. Apply grease first, then assemble.

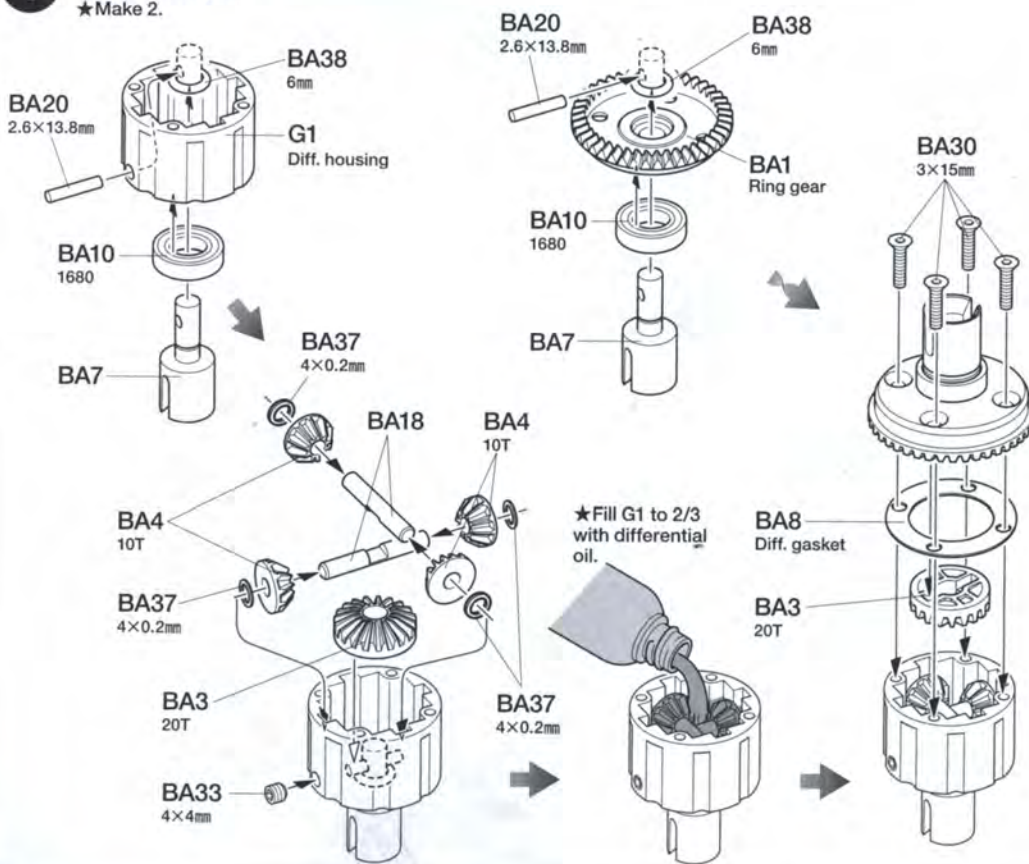
Apply gel type thread lock to the places shown by this mark.

A 1~7 METAL PARTS BAG A

1

- BA3 ×4 Diff. gear 20T
- BA4 ×8 Diff. gear 10T
- BA7 ×4 Diff. drive cup
- BA10 ×4 1680 Ball bearing
- BA18 ×4 Diff. shaft
- BA20 ×4 2.6×13.8mm Shaft
- BA30 ×8 3×15mm Countersunk screw
- BA33 ×2 4×4mm Grub screw
- BA37 ×8 4×0.2mm Shim
- BA38 ×4 6mm O-ring

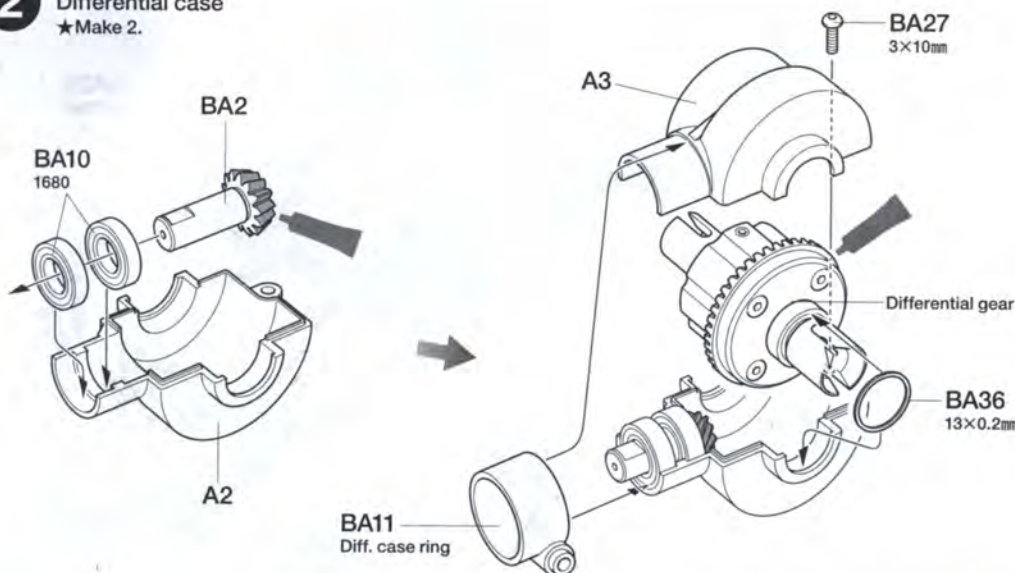
1 Differential gear
★ Make 2.








2

- BA2 ×2 Pinion gear
- BA10 ×4 1680 Ball bearing
- BA27 ×2 3×10mm Button head screw
- BA36 ×2 13×0.2mm Shim

2 Differential case
★ Make 2.

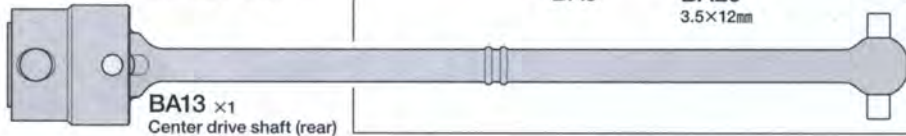


3

-  **BA24** ×2
3.5×25mm
Button head screw
-  **BA27** ×4
3×10mm
Button head screw
-  **BA28** ×2
3.5×25mm
Countersunk screw
-  **BA29** ×2
3.5×12mm
Countersunk screw
-  **BA31** ×1
5×5mm
Grub screw

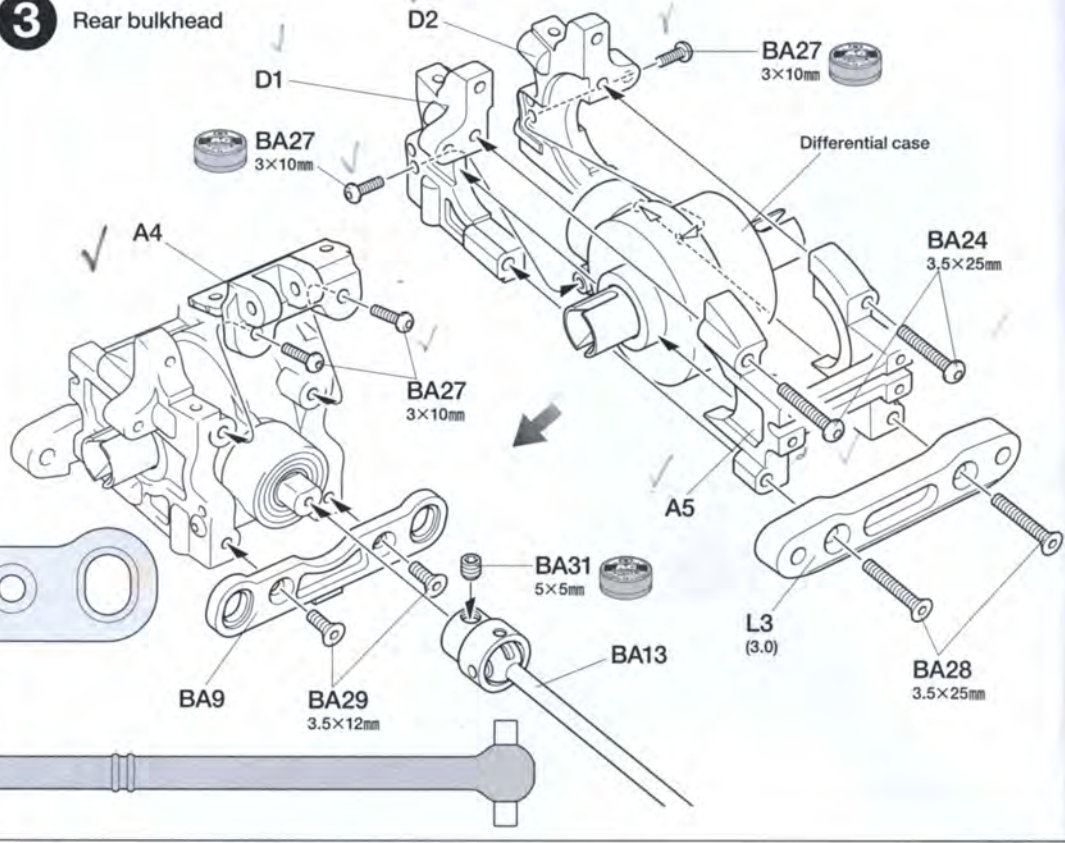








BA9 ×1
Rear susp. block



BA13 ×1
Center drive shaft (rear)

3 Rear bulkhead

**4**

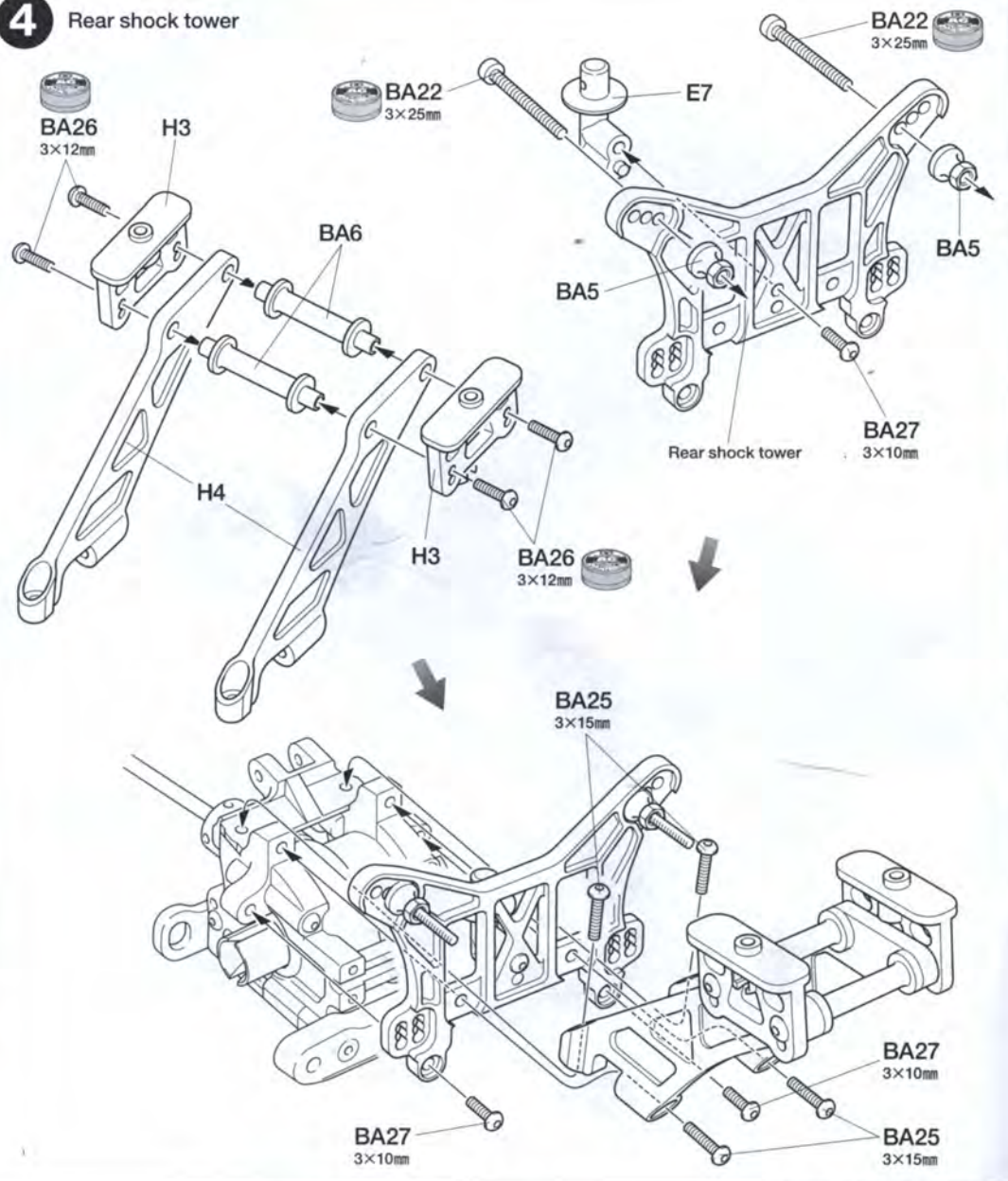
-  **BA5** ×2
Upper shock mount
-  **BA6** ×2
Wing brace
-  **BA22** ×2
3×25mm Cap screw
-  **BA25** ×4
3×15mm
Button head screw
-  **BA26** ×4
3×12mm
Button head screw
-  **BA27** ×3
3×10mm
Button head screw

«Gel type thread lock»
Apply a small amount of Gel Type Thread Lock to the sections shown by this mark using tools such as toothpicks.



★Gel Type Thread Lock may damage plastic. Avoid direct contact with plastic parts.

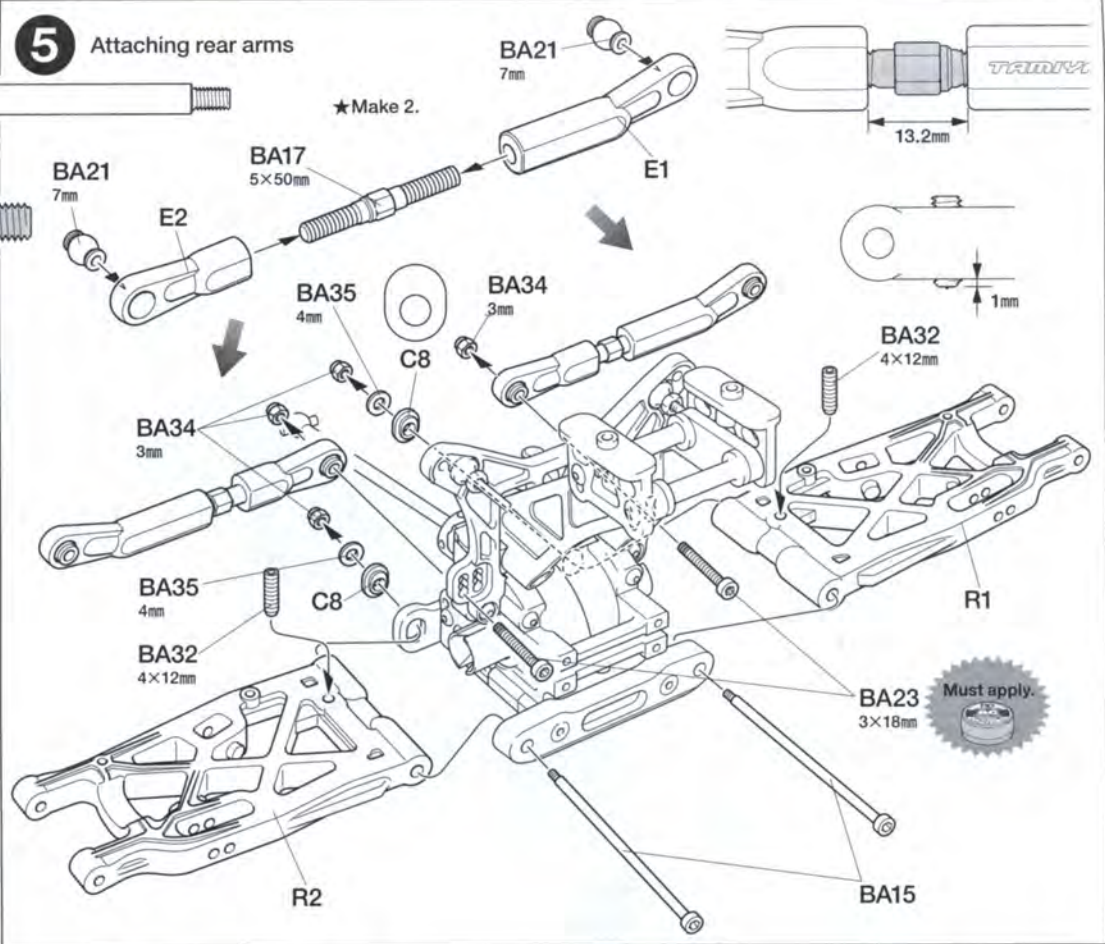
4 Rear shock tower



5

5 Attaching rear arms

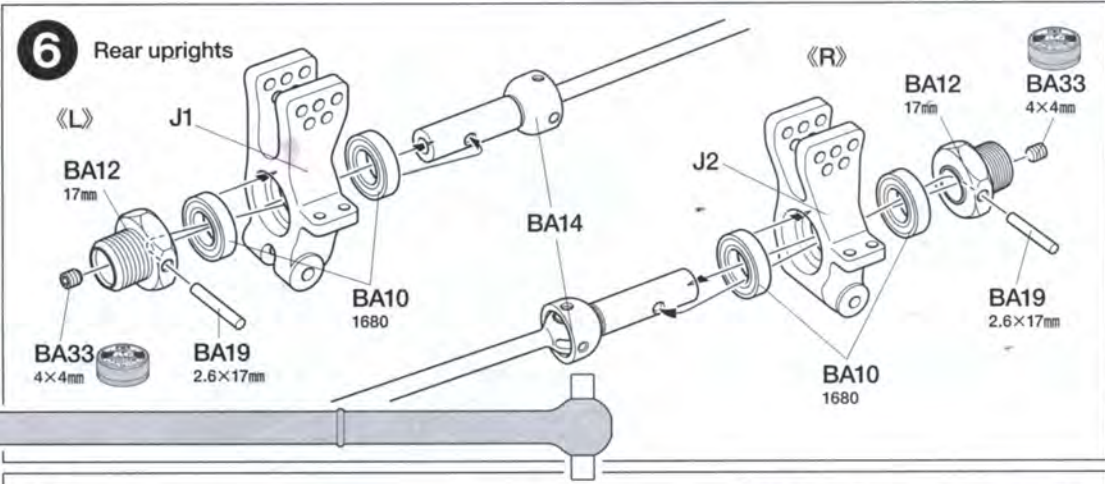
- BA15 ×2
Inner hinge pin
- BA17 ×2
5×50mm Turn-buckle shaft
- BA21 ×4
7mm ball collar
- BA23 ×2
3×18mm Cap screw
- BA32 ×2
4×12mm Grub screw
- BA34 ×4
3mm Lock nut
- BA35 ×2
4mm Washer



6

6 Rear uprights

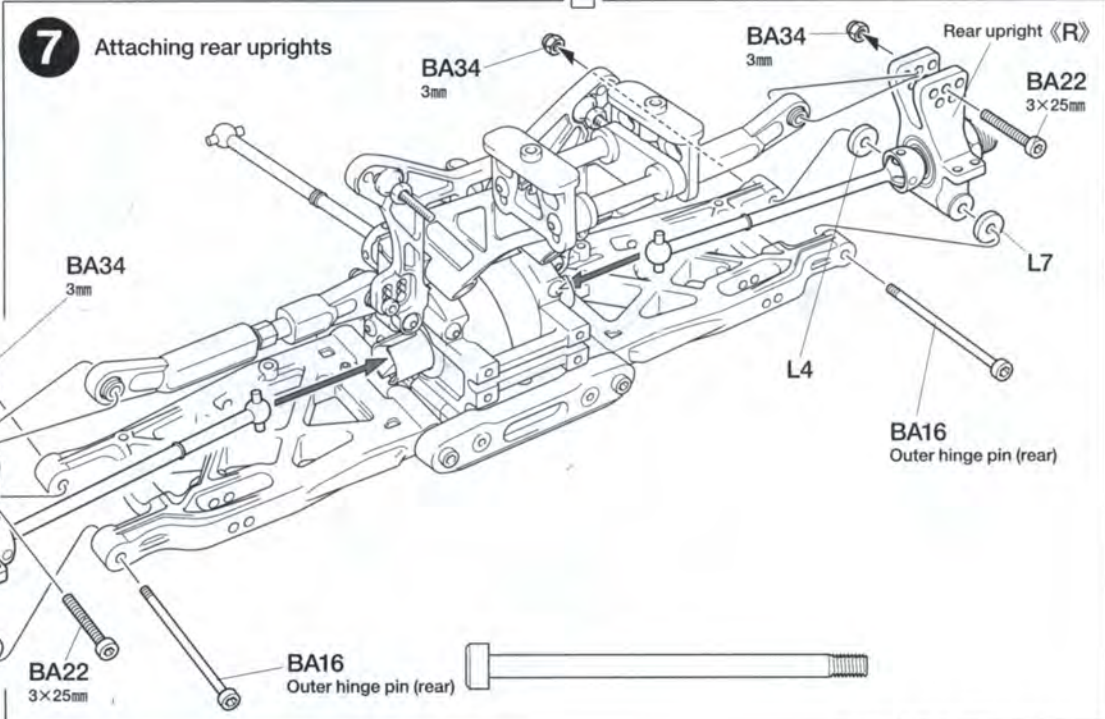
- BA10 ×4
1680 Ball bearing
- BA19 ×2
2.6×17mm Shaft
- BA12 ×2
17mm Wheel hub
- BA33 ×2
4×4mm Grub screw



7

7 Attaching rear uprights

- BA22 ×2
3×25mm Cap screw
- BA34 ×4
3mm Lock nut



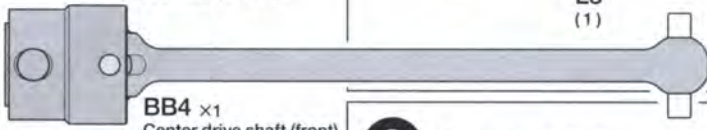
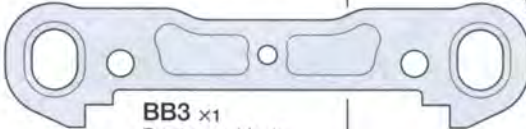
B

8 ~ 14

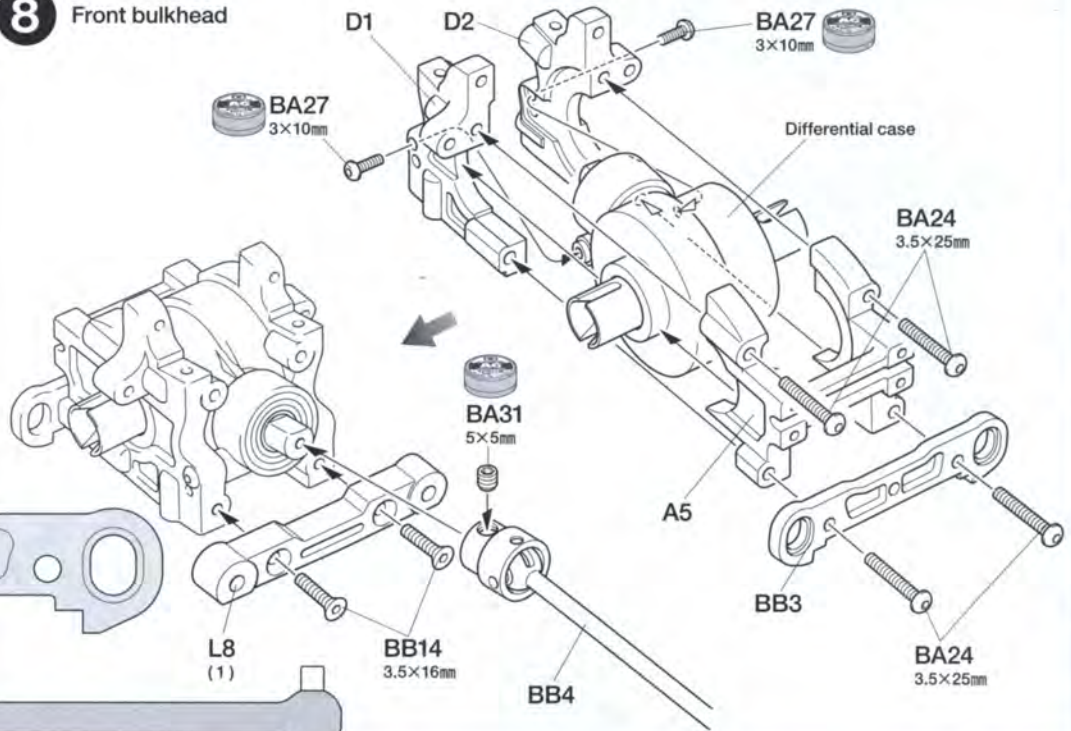
METAL PARTS BAG B

8

- BA24** ×4
3.5×25mm
Button head screw
- BA27** ×2
3×10mm
Button head screw
- BB14** ×2
3.5×16mm
Countersunk screw
- BA31** ×1
5×5mm
Grub screw



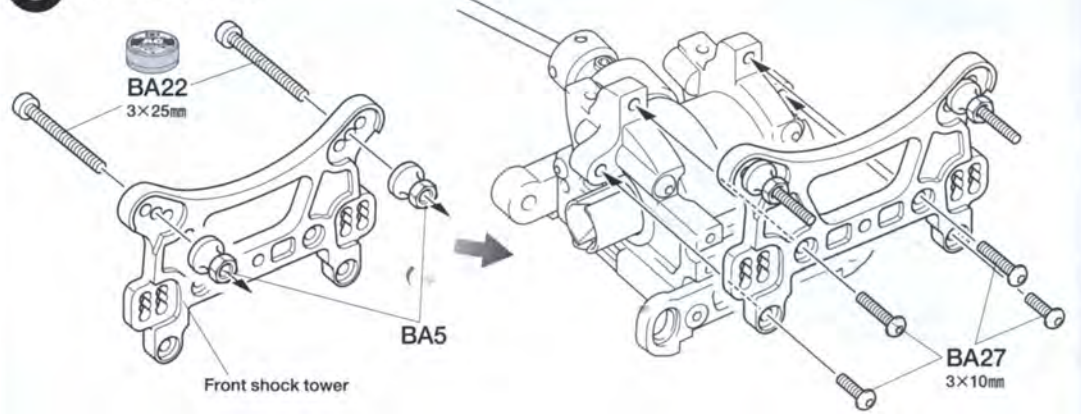
8 Front bulkhead



9

- BA5** ×2
Upper shock mount
- BA22** ×2
3×25mm Cap screw
- BA27** ×4
3×10mm
Button head screw

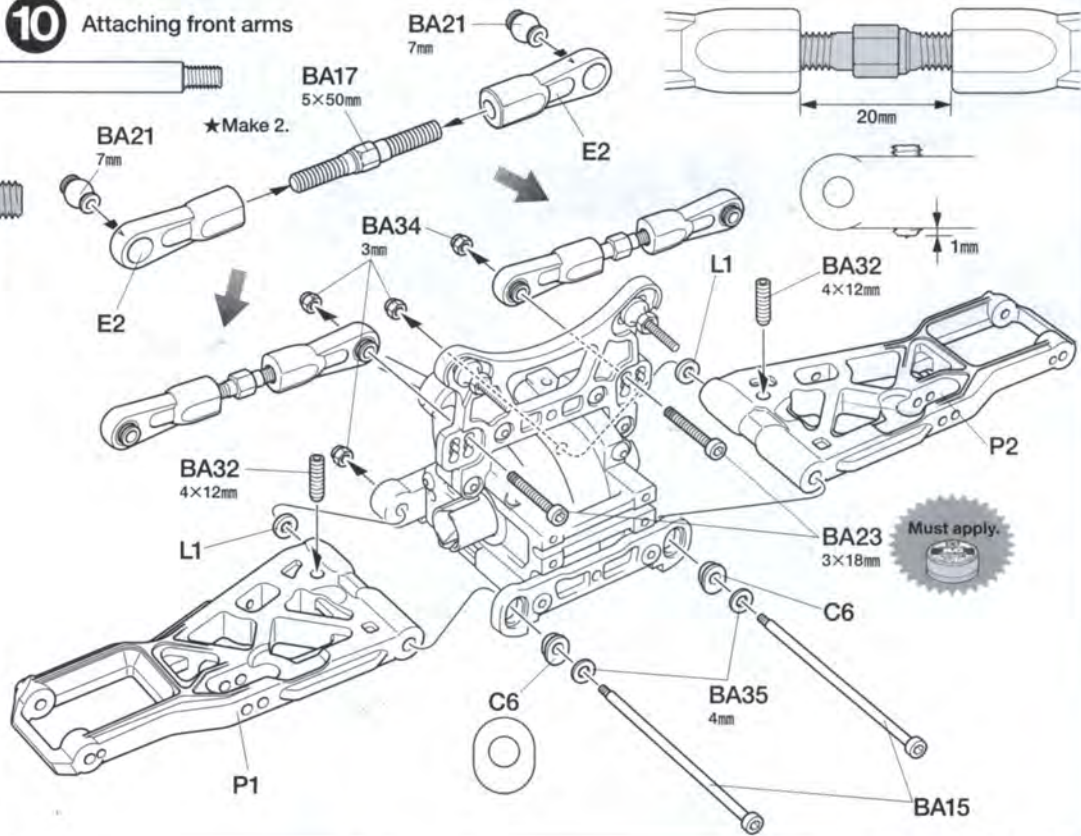
9 Front shock tower




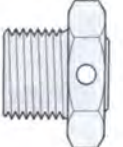






10

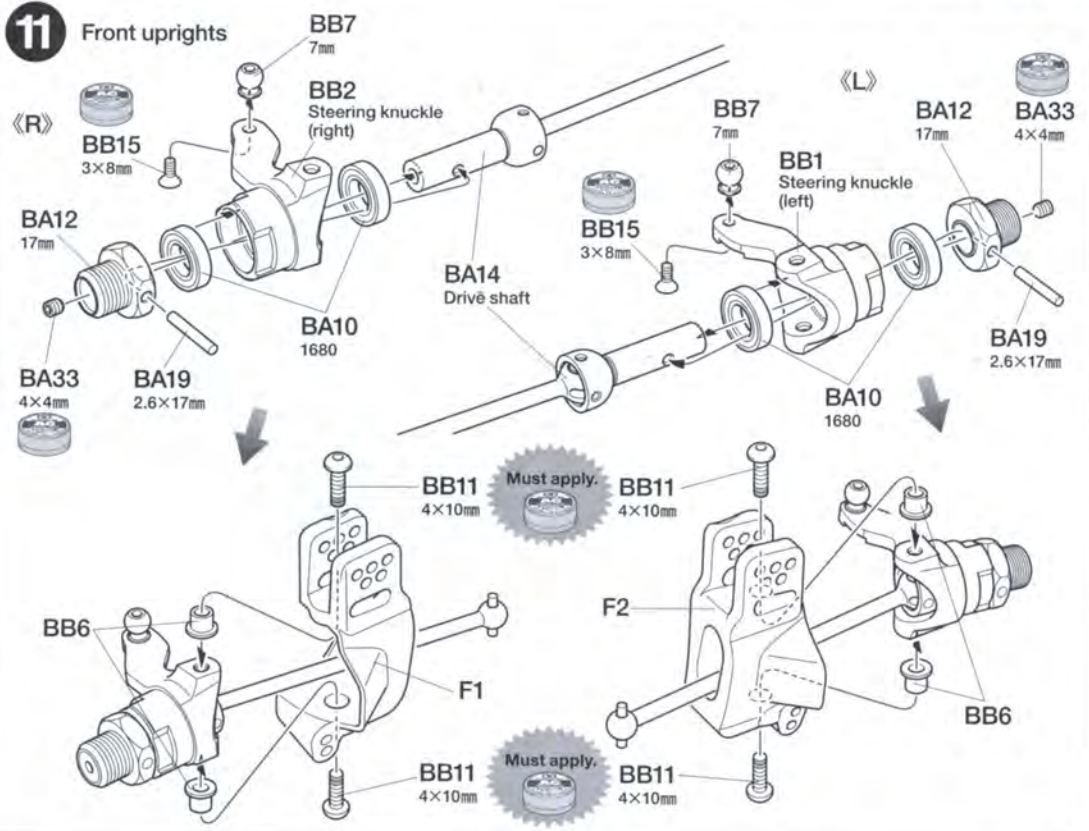
- BA15** ×2
Inner hinge pin
- BA17** ×2
5×50mm Turn-buckle shaft
- BA21** ×4
7mm Ball collar
- BA23** ×2
3×18mm Cap screw
- BA32** ×2
4×12mm Grub screw
- BA34** ×4
3mm Lock nut
- BA35** ×2
4mm Washer

10 Attaching front arms





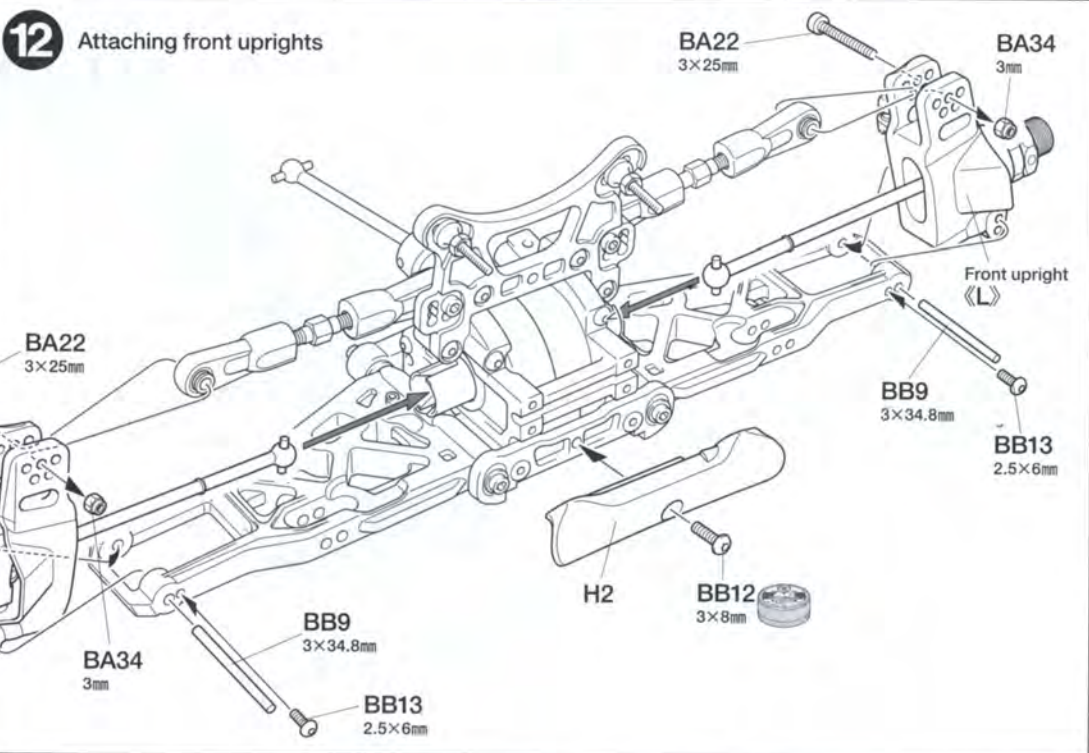
11




-  BA10 ×4
1680 Ball bearing
-  BA12 ×2
17mm Wheel hub
-  BA19 ×2
2.6×17mm Shaft
-  BB6 ×4
Steering knuckle collar
-  BB7 ×2
7mm Ball nut
-  BB11 ×4
4×10mm
Button head screw
-  BB15 ×2
3×8mm
Countersunk screw
-  BA33 ×2
4×4mm
Grub screw



12

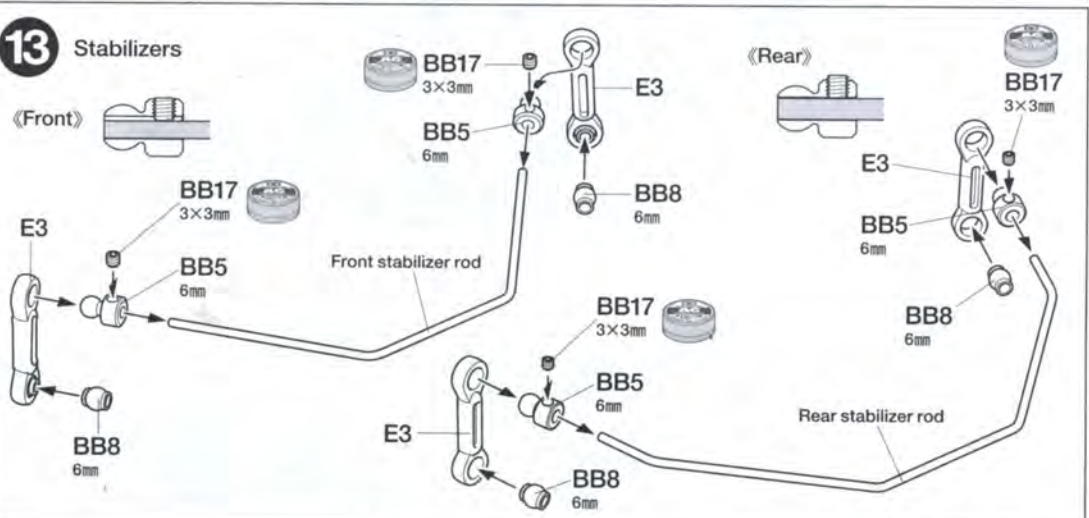
-  BB9 ×2
3×34.8mm Shaft
-  BA22 ×2
3×25mm Cap screw



-  BB12 ×1
3×8mm
Button head screw
-  BB13 ×2
2.5×6mm
Button head screw
-  BA34 ×2
3mm Lock nut

13

-  BB5 ×4
6mm Ball end
-  BB8 ×4
6mm Ball collar
-  BB17 ×4
3×3mm
Grub screw



14



BA23 ×4
3×18mm Cap screw



BB10 ×8
2.5×8mm Cap screw

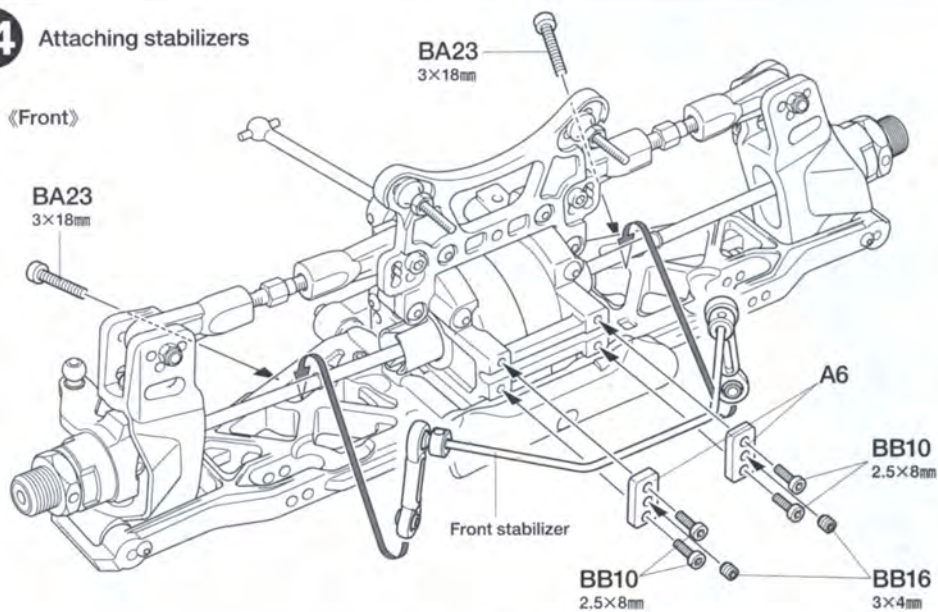


BB16 ×4
3×4mm Grub screw

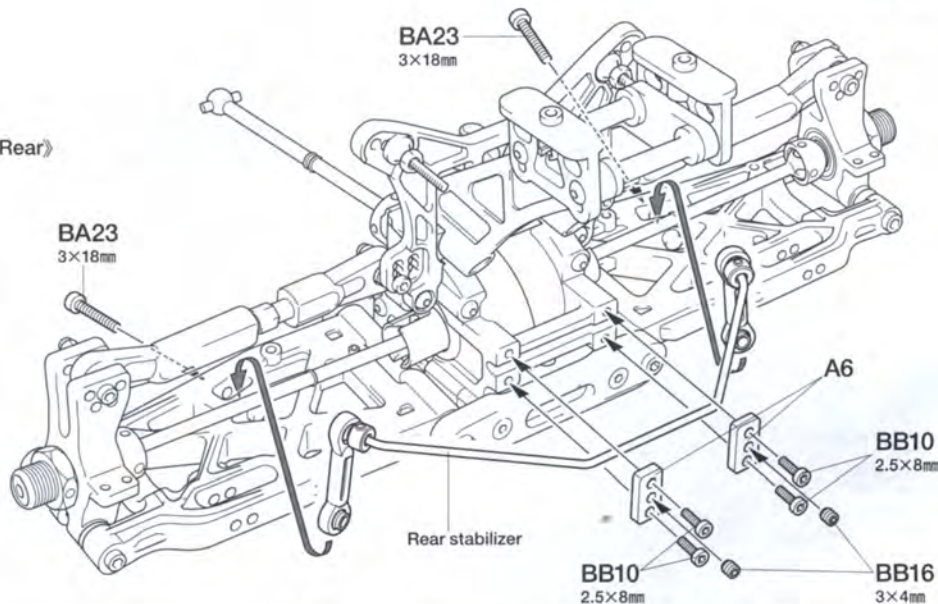
14

Attaching stabilizers

«Front»



«Rear»



C

15 ~ 22

METAL PARTS BAG C

15



BC8 ×3
Radio tray post



BC9 ×1
Radio tray post (short)



BC10 ×2
Steering post



BC23 ×2
4×12mm
Countersunk screw



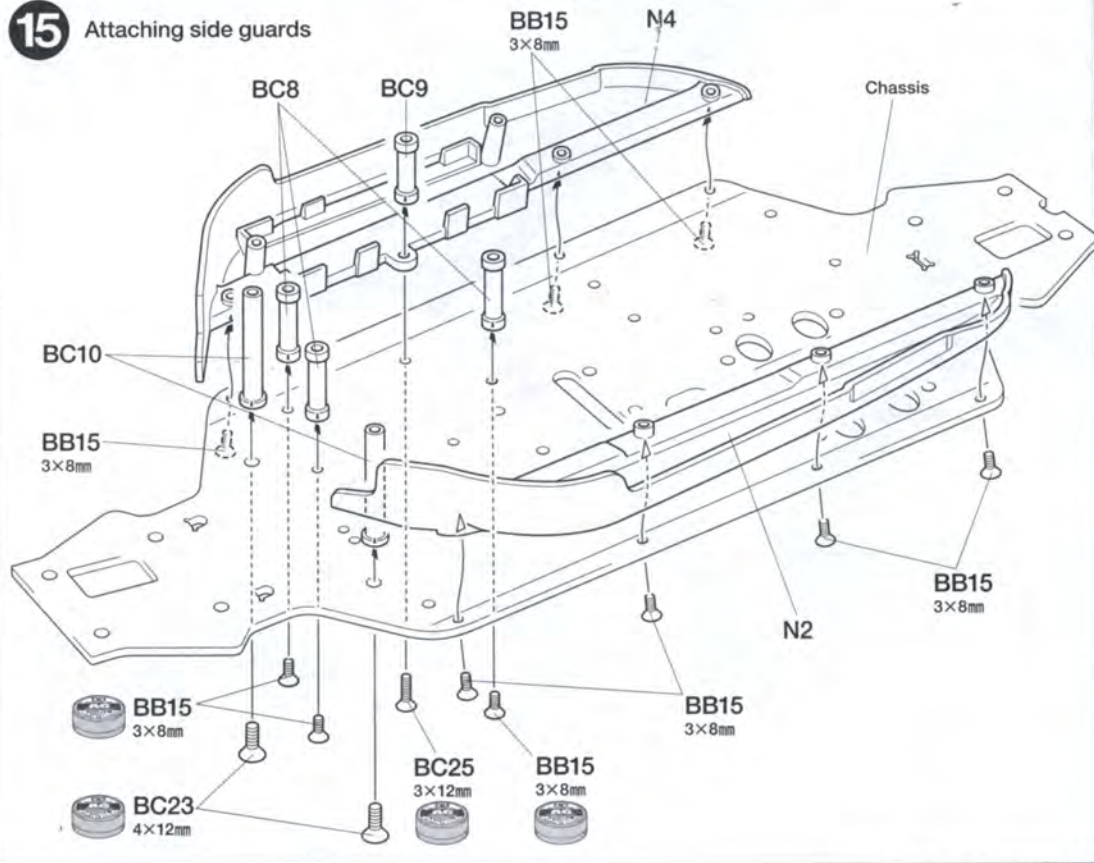
BC25 ×1
3×12mm
Countersunk screw



BB15 ×10
3×8mm
Countersunk screw

15

Attaching side guards



16

16 Attaching engine mount plate



BC15 ×2
Engine mount plate



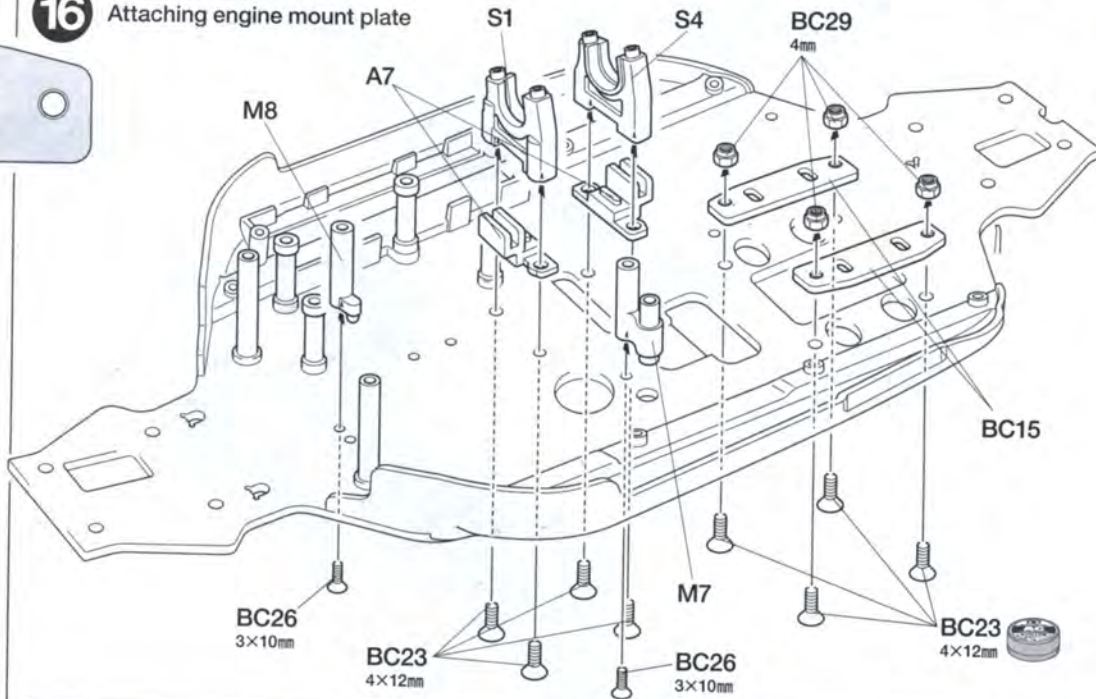
BC23 ×8
4×12mm
Countersunk screw



BC26 ×2
3×10mm
Countersunk screw

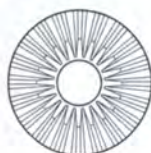


BC29 ×4
4mm Lock nut



17

17 Center differential gear



BA3 ×2
Diff. gear 20T



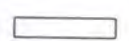
BA4 ×4
Diff. gear 10T



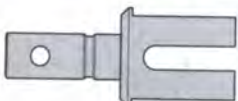
BA10 ×2
1680 Ball bearing



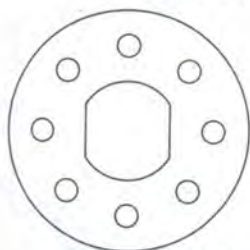
BA18 ×2
Diff. shaft



BA20 ×2
2.6×13.8mm Shaft



BC7 ×2
Center drive cup



BC13 ×2
Brake rotor



BA30 ×4
3×15mm
Countersunk screw



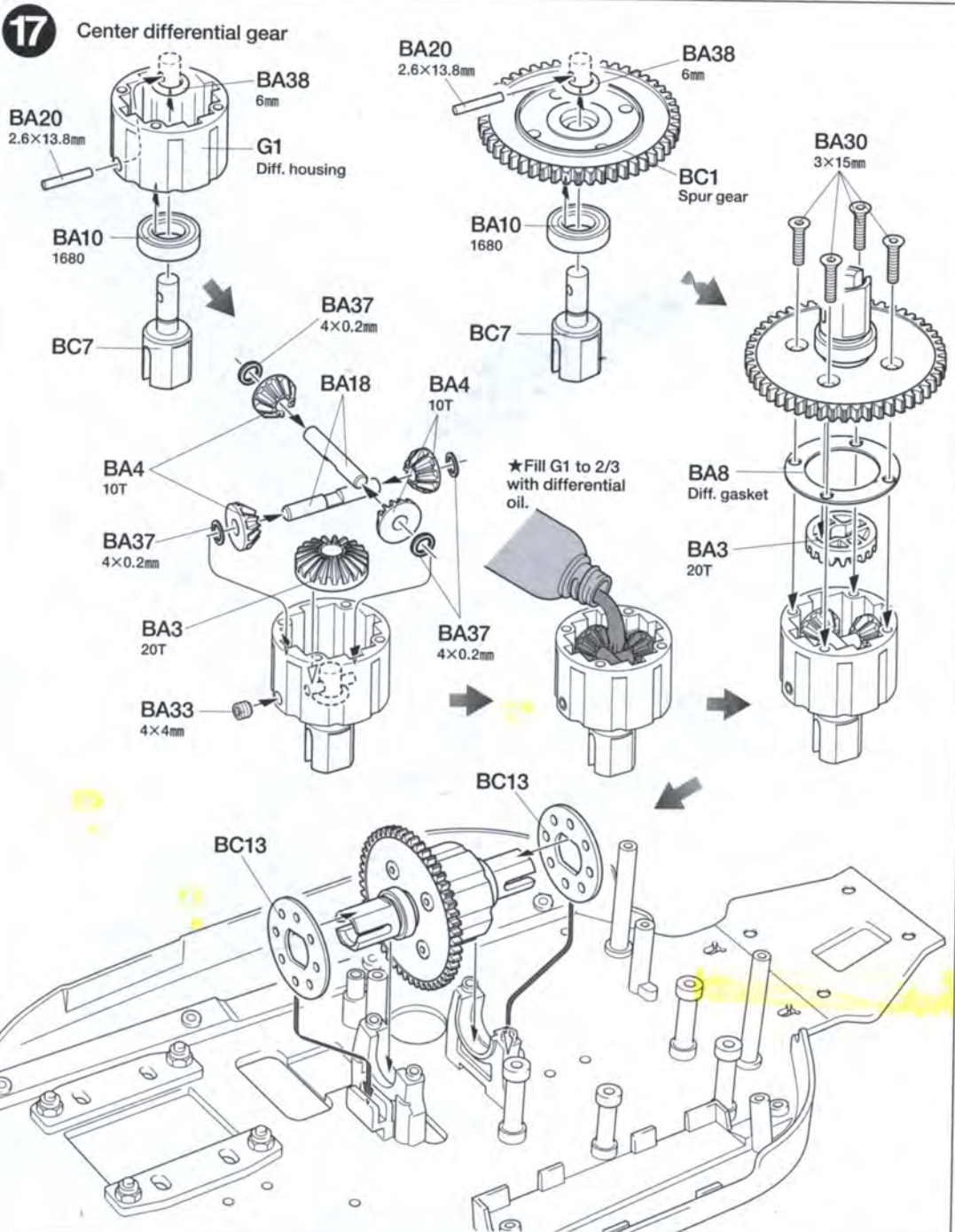
BA33 ×1
4×4mm Grub screw



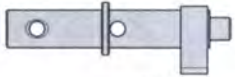
BA37 ×4
4×0.2mm Shim



BA38 ×2
6mm O-ring



18



BC2 x2
Brake cam



BC4 x4
Brake caliper (silver)



BC5 x4
Brake pad (blue)



BC22 x4
3x30mm Cap screw



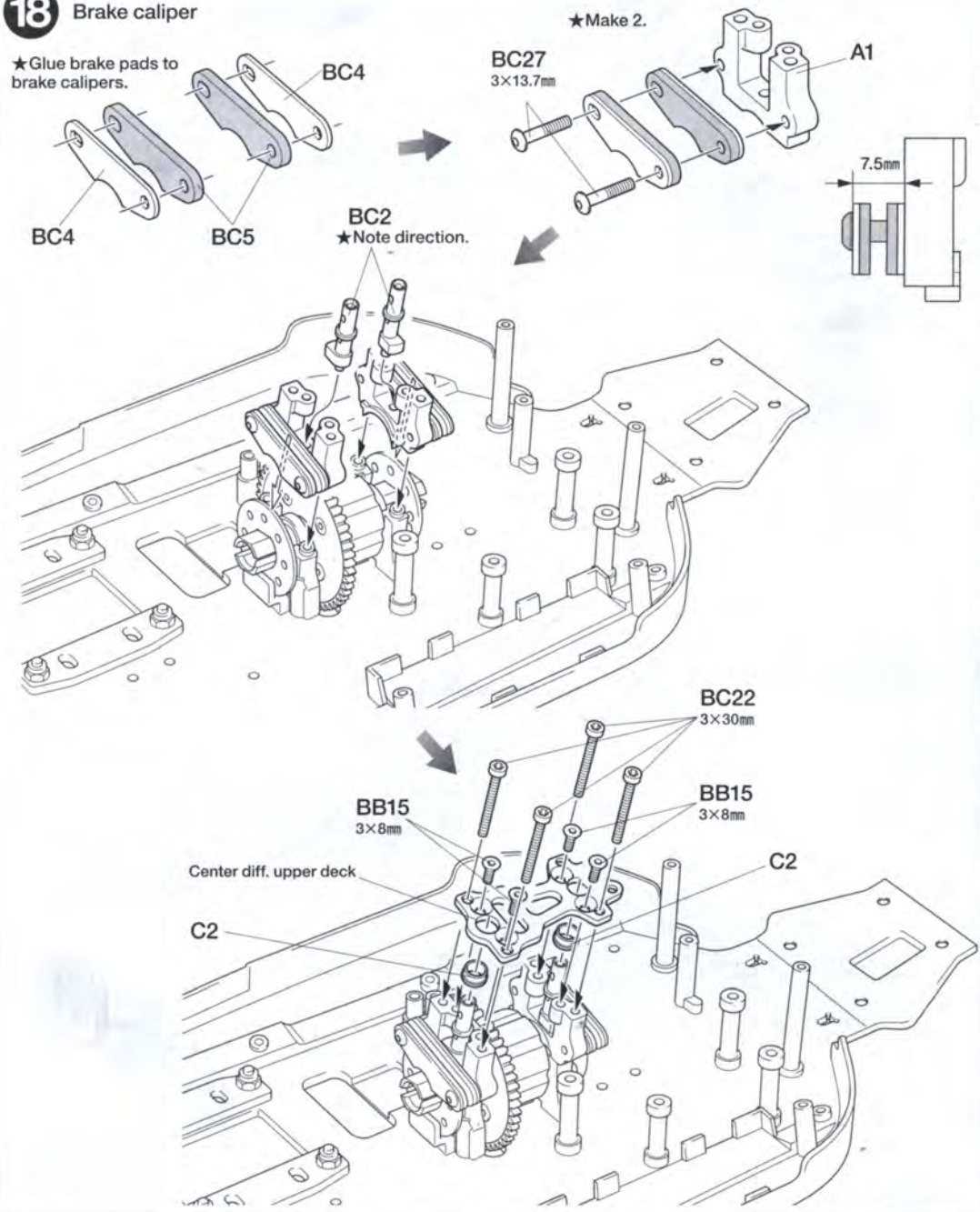
BB15 x4
3x8mm
Countersunk screw



BC27 x4
3x13.7mm Brake screw

18 Brake caliper

★ Glue brake pads to brake calipers.



19



BC3 x1
Brake arm



BC18 x1
3x18mm
Turn-buckle shaft



BC19 x1
2x10mm Shaft



BC20 x2
6mm Ball connector



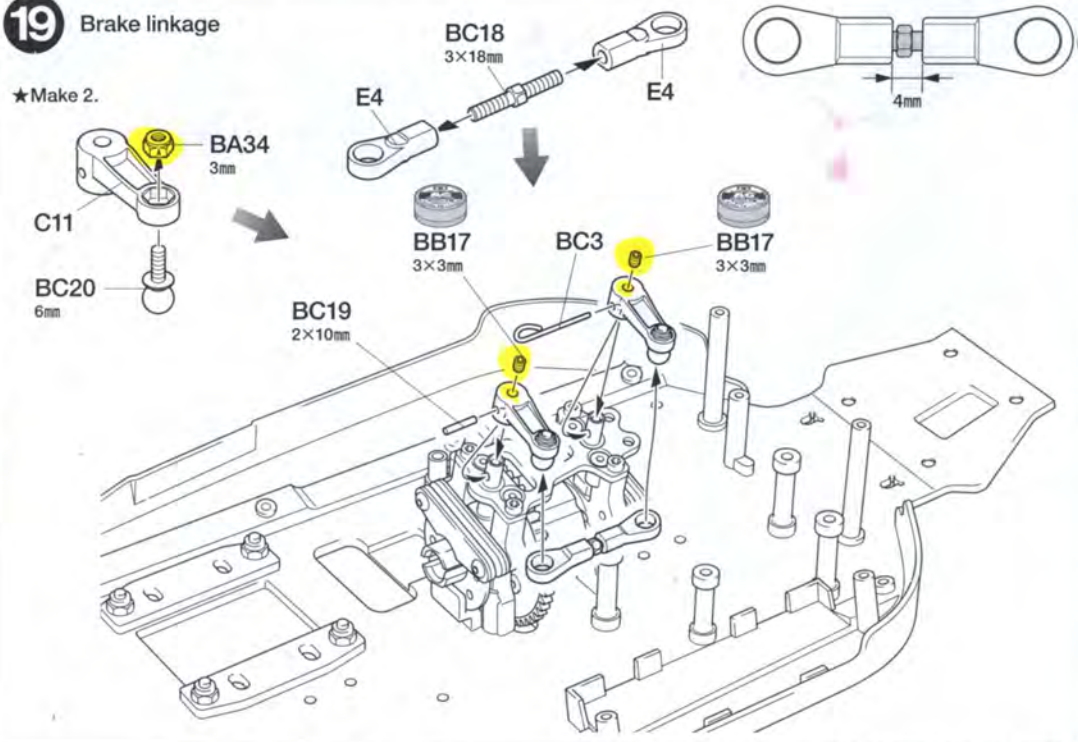
BB17 x2
3x3mm Grub screw






BA34 x2
3mm Lock nut

19 Brake linkage

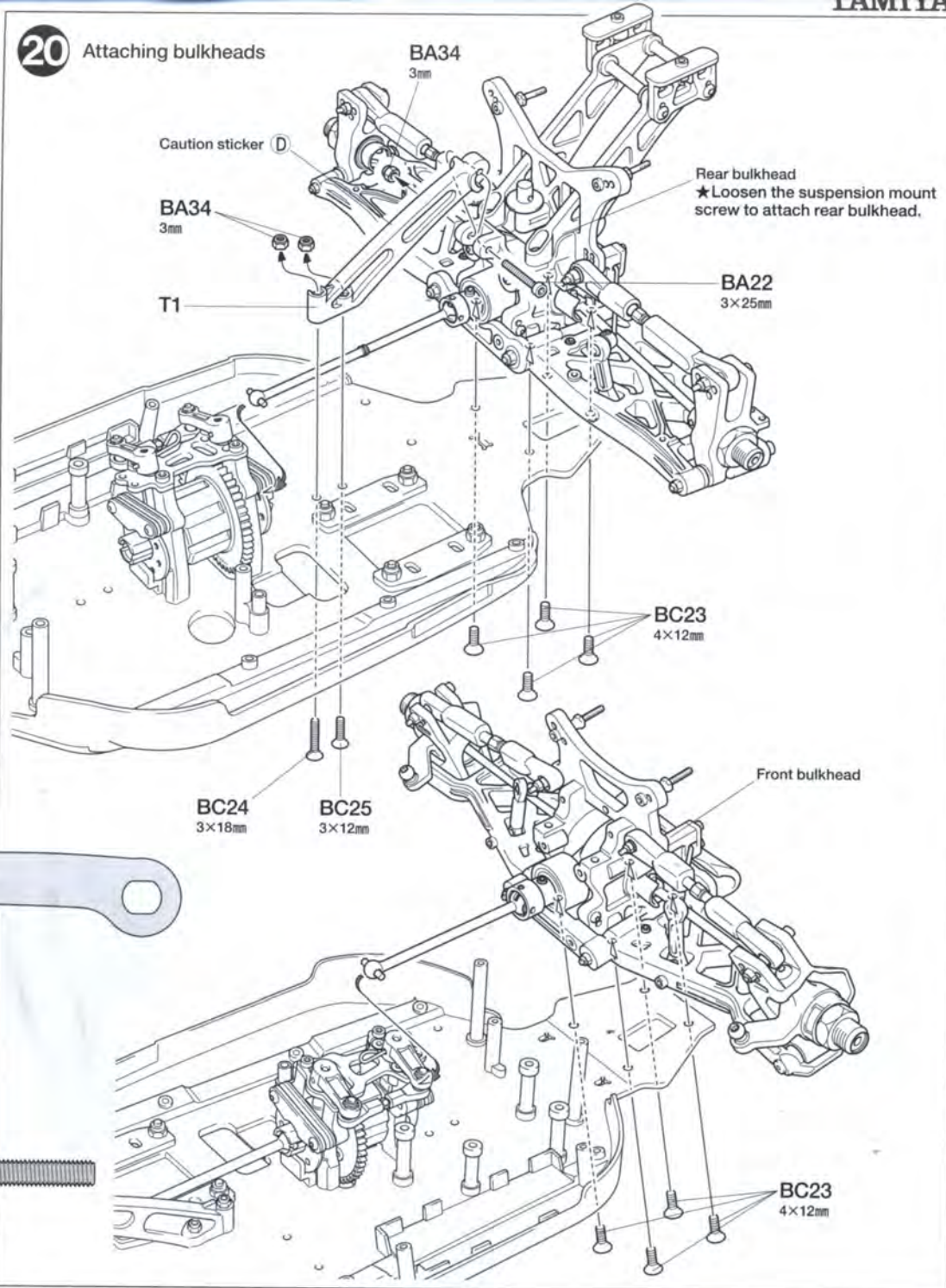
★ Make 2.





20

-  **BA22** ×1
3×25mm Cap screw
-  **BC23** ×8
4×12mm Countersunk screw
-  **BC24** ×1
3×18mm Countersunk screw
-  **BC25** ×1
3×12mm Countersunk screw
-  **BA34** ×3
3mm Lock nut

20 Attaching bulkheads



21

-  **BC11** ×1
Servo saver adjuster
-  **BC12** ×1
Servo saver tube



BC14 ×1
Ackerman plate



BC16 ×1
Servo saver spring



BC17 ×2
4×61mm Turn-buckle shaft



BC6 ×4
1060 Ball bearing



BC20 ×1
6mm Ball connector



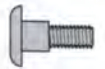
BA21 ×2
7mm Ball collar



BC21 ×2
Steering bushing collar



BC24 ×2
3×18mm Countersunk screw



BC28 ×2
3×9.8mm Steering bushing bolt

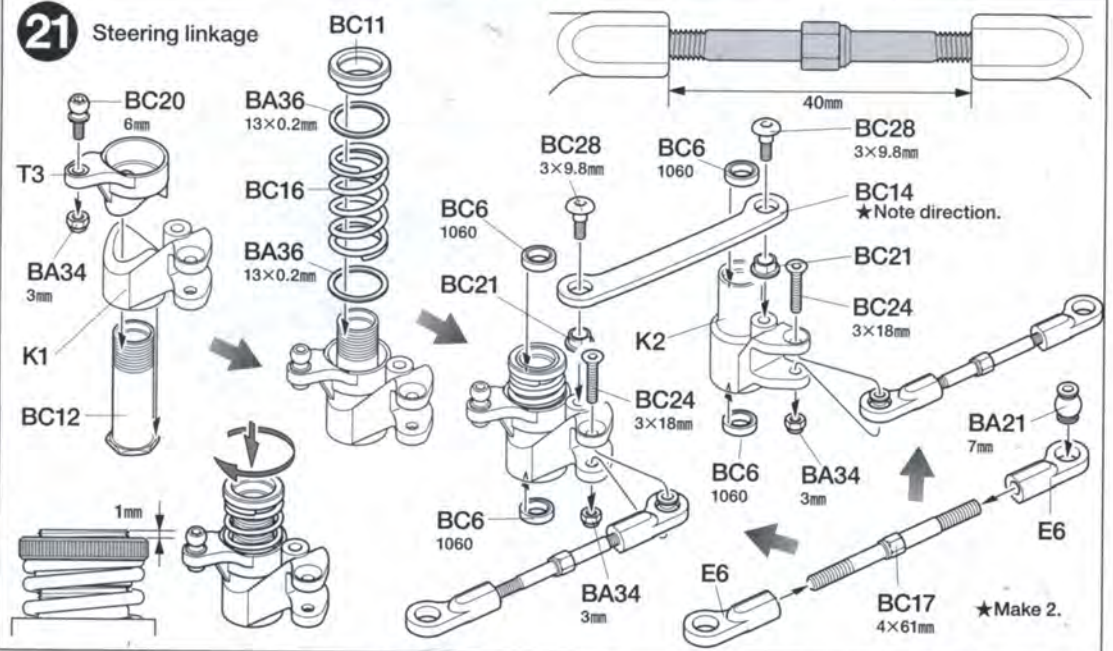


BA34 ×3
3mm Lock nut








BA36 ×2
13×0.2mm Shim

21 Steering linkage

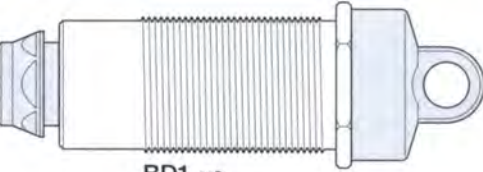
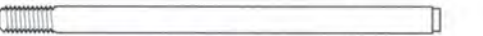


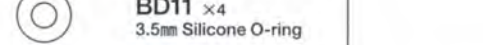

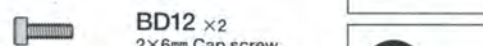



22

-  **BA26** ×1
3×12mm
Button head screw
-  **BA27** ×5
3×10mm
Button head screw
-  **BC24** ×1
3×18mm
Countersunk screw
-  **BC25** ×1
3×12mm
Countersunk screw
-  **BA34** ×3
3mm Lock nut

D **23~27**
METAL PARTS BAG D

23

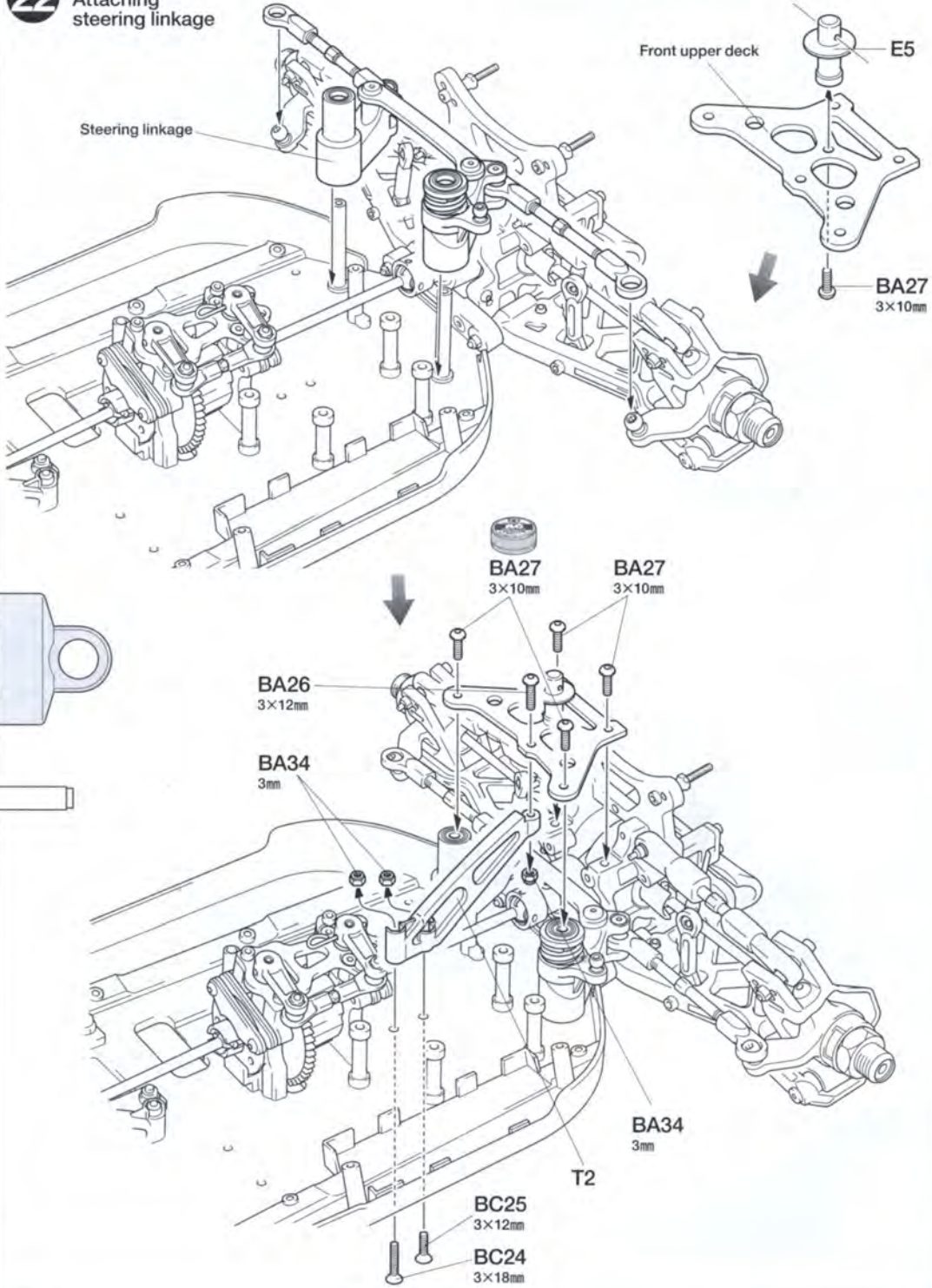
-  **BD1** ×2
Rear damper body
-  **BD6** ×2
Rear damper shaft
-  **BD7** ×2
Pre-load adjuster
-  **BD8** ×2
18mm O-ring
-  **BD11** ×4
3.5mm Silicone O-ring
-  **BB8** ×2
6mm Ball collar
-  **BD12** ×2
2×6mm Cap screw
-  **BD14** ×2
2mm Spring washer

OPTIONS

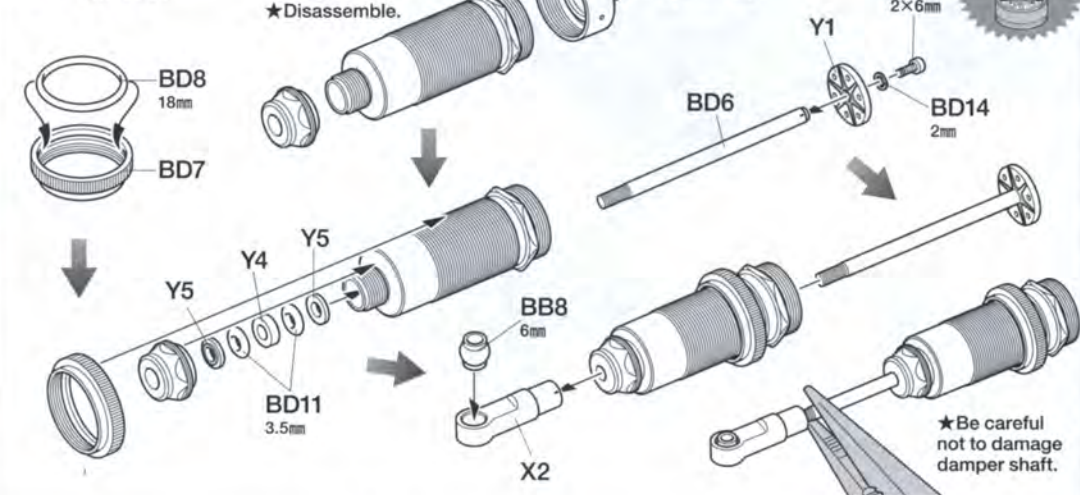
★Kit-standard damper oil (#400).

SOFT SET (53443)	RED	# 200
	ORANGE	# 300
	YELLOW	# 400
MEDIUM SET (53444)	GREEN	# 500
	BLUE	# 600
	PURPLE	# 700
HARD SET (53445)	PINK	# 800
	CLEAR	# 900
	LIGHT BLUE	# 1000

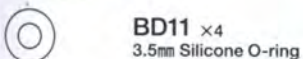
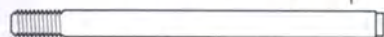
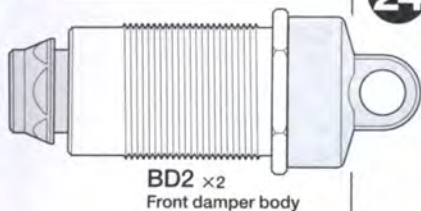
22 Attaching steering linkage



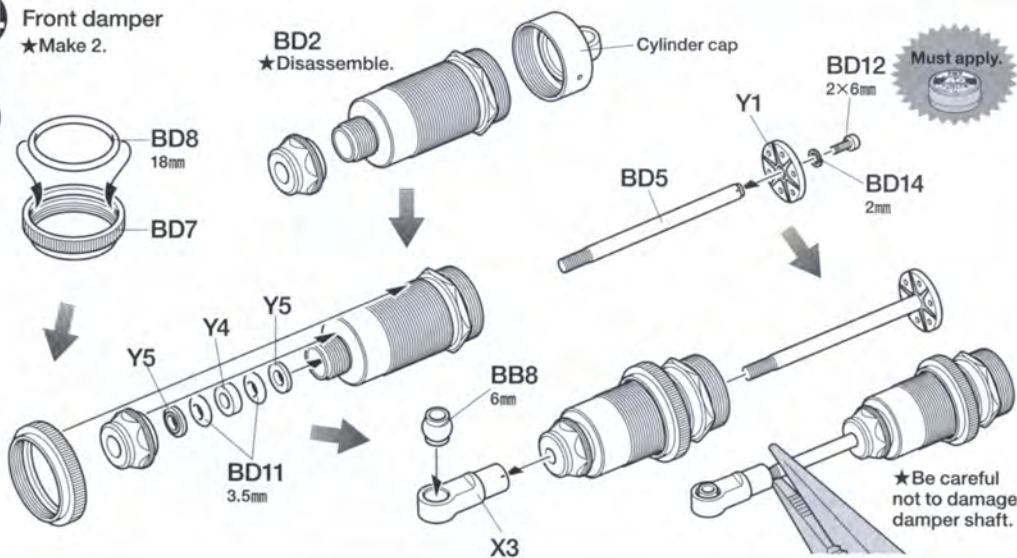
23 Rear damper



24



24 Front damper
★Make 2.

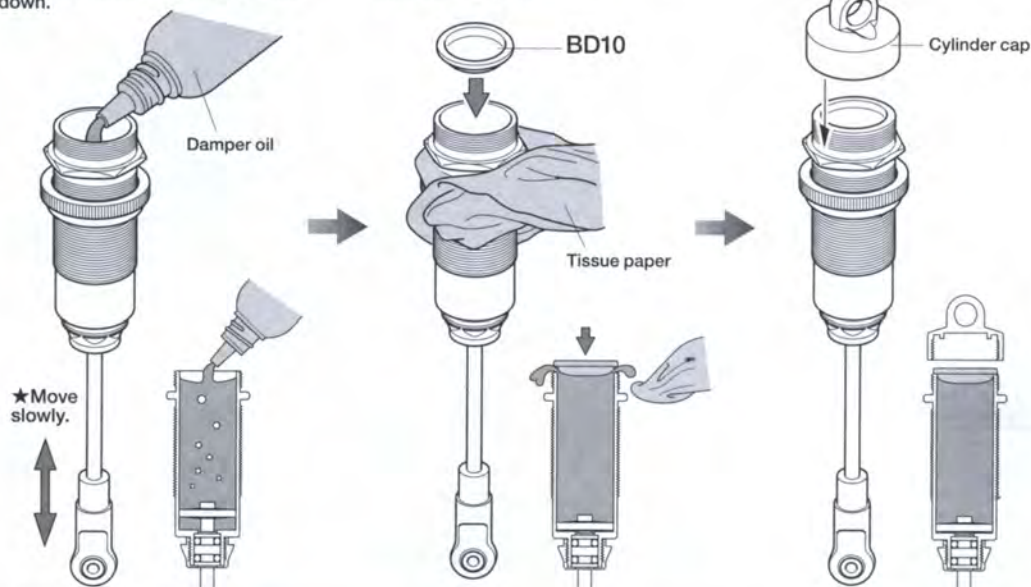


25 Damper oil ★Make 2 of each front/rear damper.

1. Pull down piston and pour oil into cylinder. Remove air bubbles by slowly moving piston up and down.

2. Pull down piston, attach diaphragm and absorb oil overflow with tissue paper.

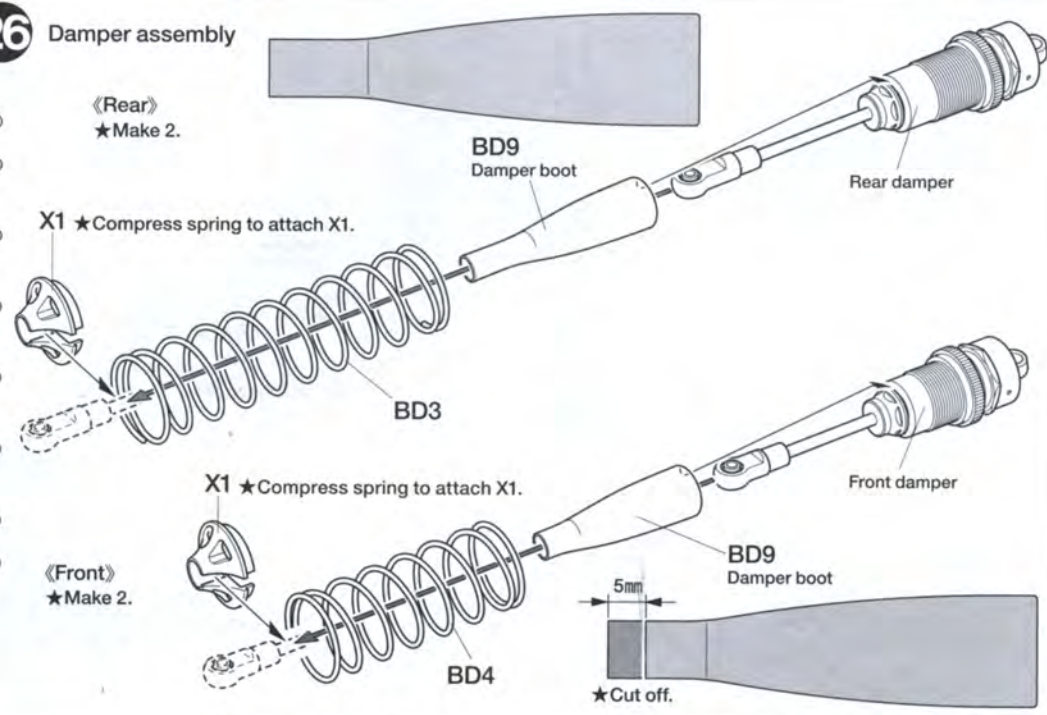
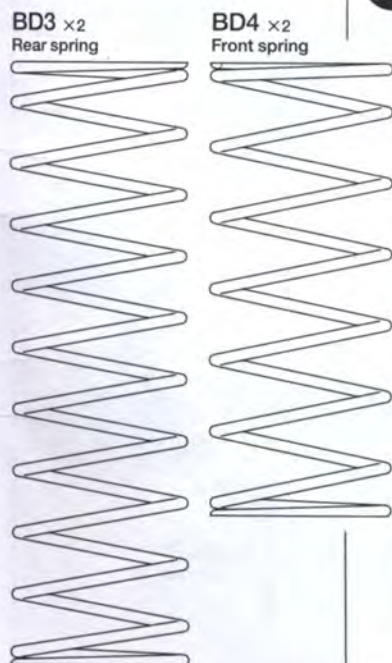
3. Tighten cylinder cap.



25



26 Damper assembly





BA23 ×4
3×18mm Cap screw



BA34 ×4
3mm Lock nut



BD13 ×4
3mm Washer

Parts marked ※ are not included in kit.

E **28~33**
METAL PARTS BAG E

28



BA25 ×8
3×15mm
Button head screw



BA27 ×2
3×10mm
Button head screw



BC26 ×4
3×10mm
Countersunk screw

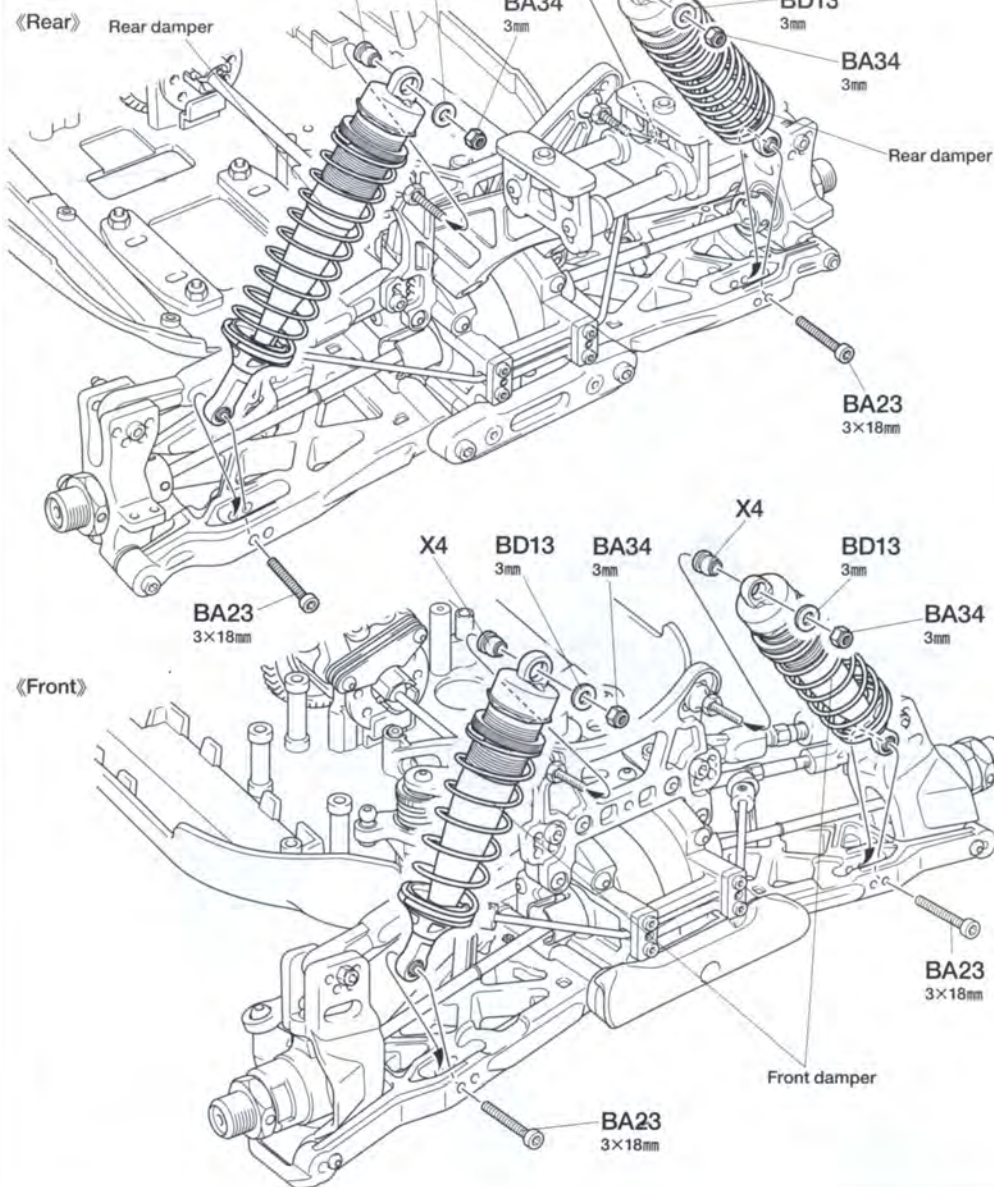


BA34 ×4
3mm Lock nut



BD13 ×4
3mm Washer

27 Attaching dampers



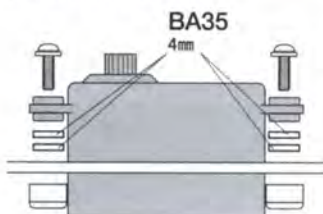
CAUTION!

★ Servo attachment position and/or throttle linkage installation may need to be changed depending on the servo and engine you use. Ensure smooth movement of throttle linkage when installing.

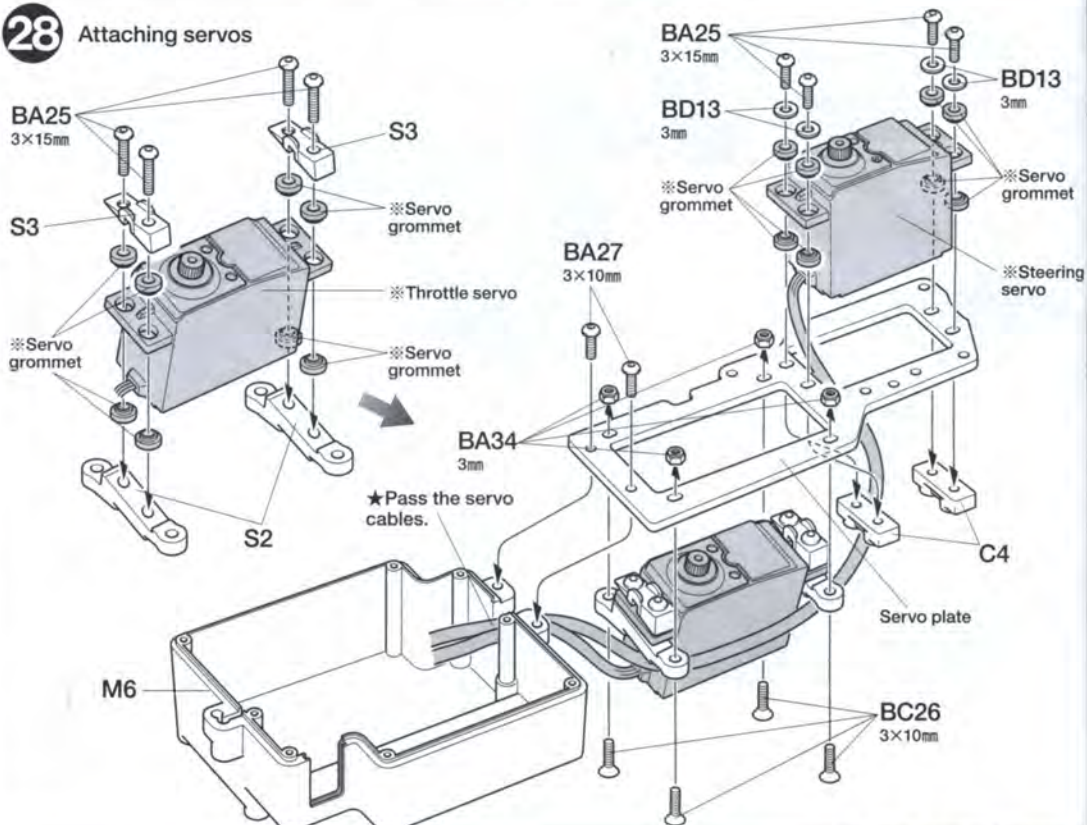


BA35 ×12
4mm Washer

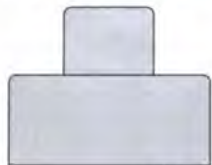
★ Adjust the steering servo position with 4mm washers if it comes into contact with the chassis.



28 Attaching servos



29



BE10 x1
Switch boot



BB12 x2
3x8mm
Button head screw



BE14 x2
2x10mm
Cap screw



BD12 x8
2x6mm
Cap screw



BB17 x1
3x3mm
Grub screw



BE16 x2
2mm
Washer



BE18 x2
6mm
Snap pin

30



BA27 x4
3x10mm
Button head screw



BC26 x4
3x10mm
Countersunk screw



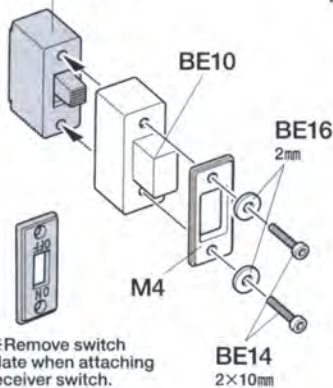
BE8 x2
Mount screw



BE17 x2
Snap pin (large)

29 Mechanism box

Receiver switch



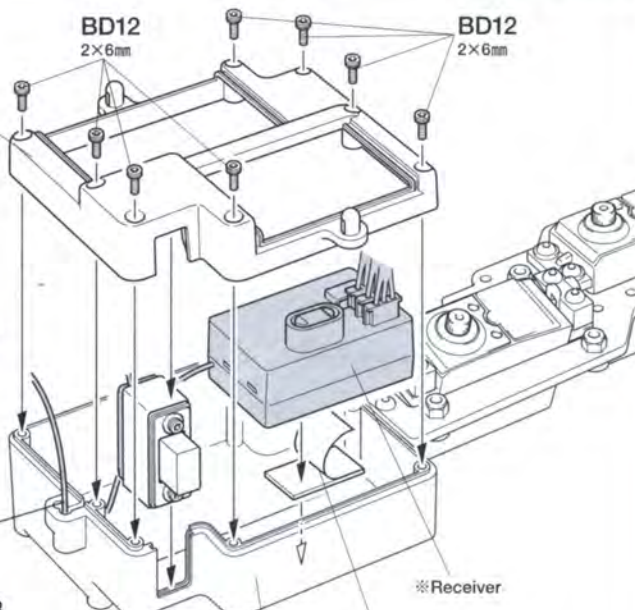
Remove switch plate when attaching receiver switch.

BE14 2x10mm

M2

BD12 2x6mm

BD12 2x6mm



Pass antenna.

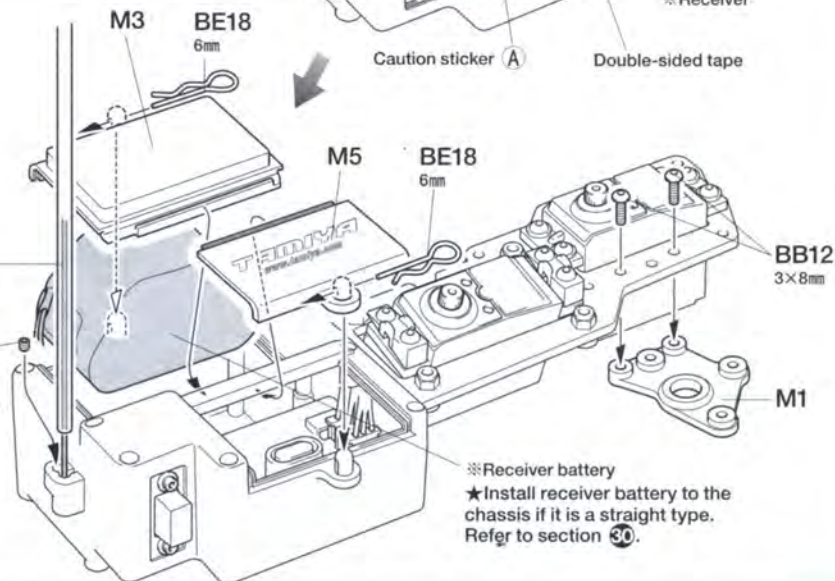
Caution sticker A

Double-sided tape

Receiver

M3 BE18 6mm

Antenna pipe
Pass antenna.



M5 BE18 6mm

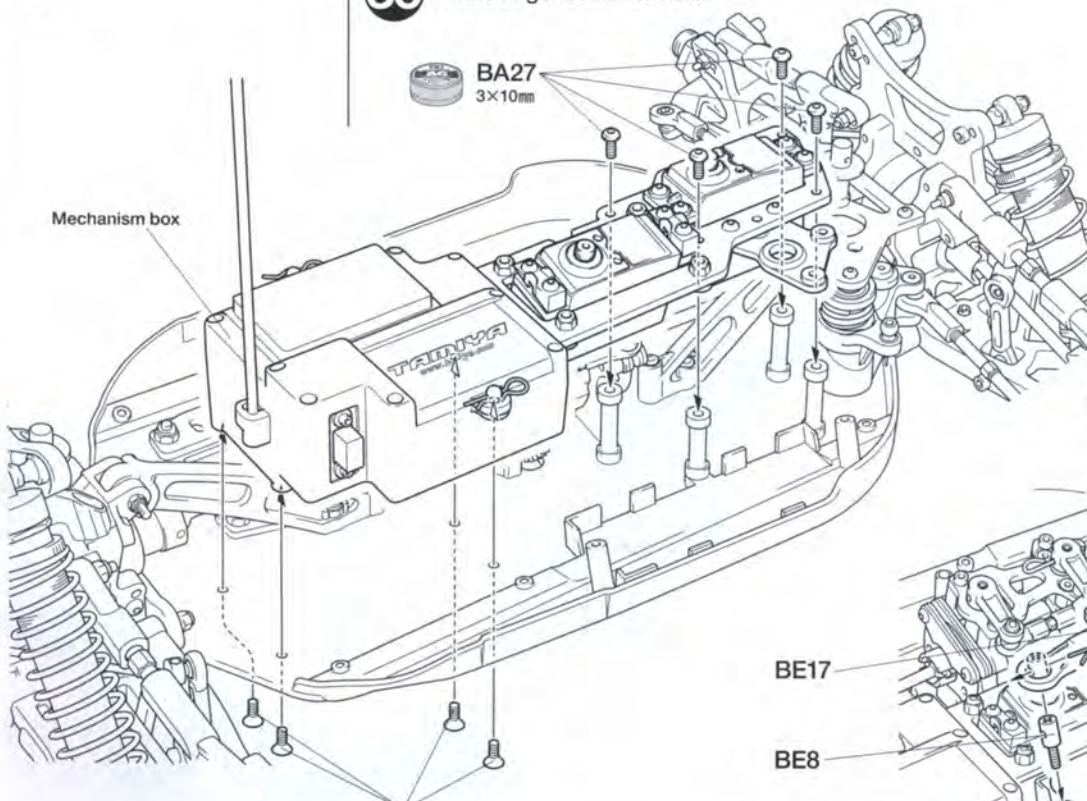
BB12 3x8mm

M1

Receiver battery
Install receiver battery to the chassis if it is a straight type. Refer to section 30.

30 Attaching mechanism box

BA27 3x10mm



Mechanism box

BC26 3x10mm

«Straight type receiver battery»
Remove M1 when attaching receiver battery to the location shown below.

BE17

N3

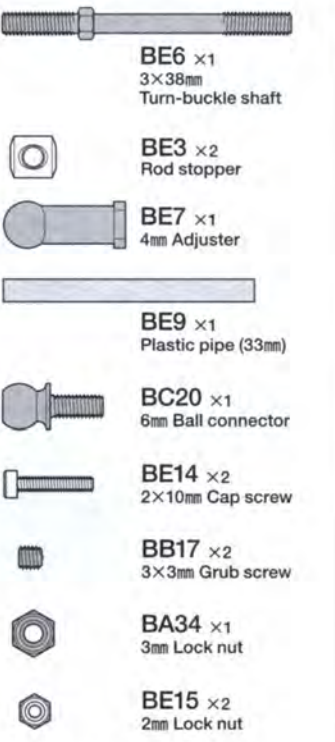
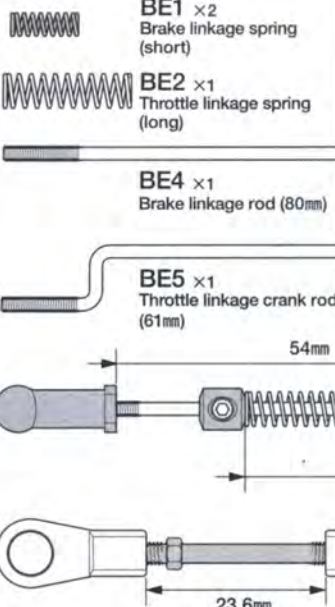
BE17

BE8

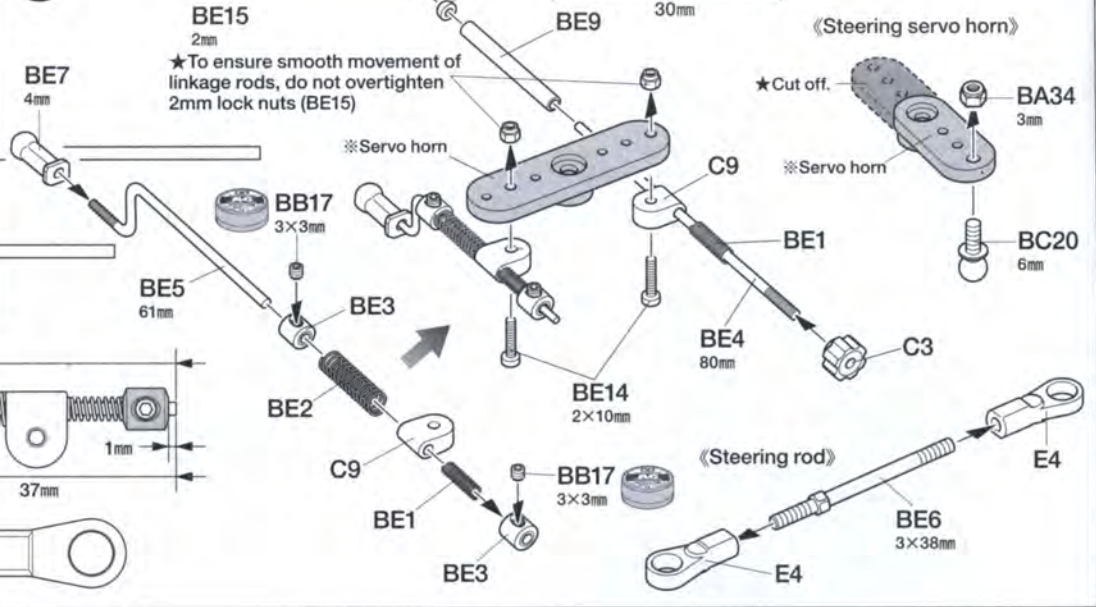
BE8

Receiver battery

31

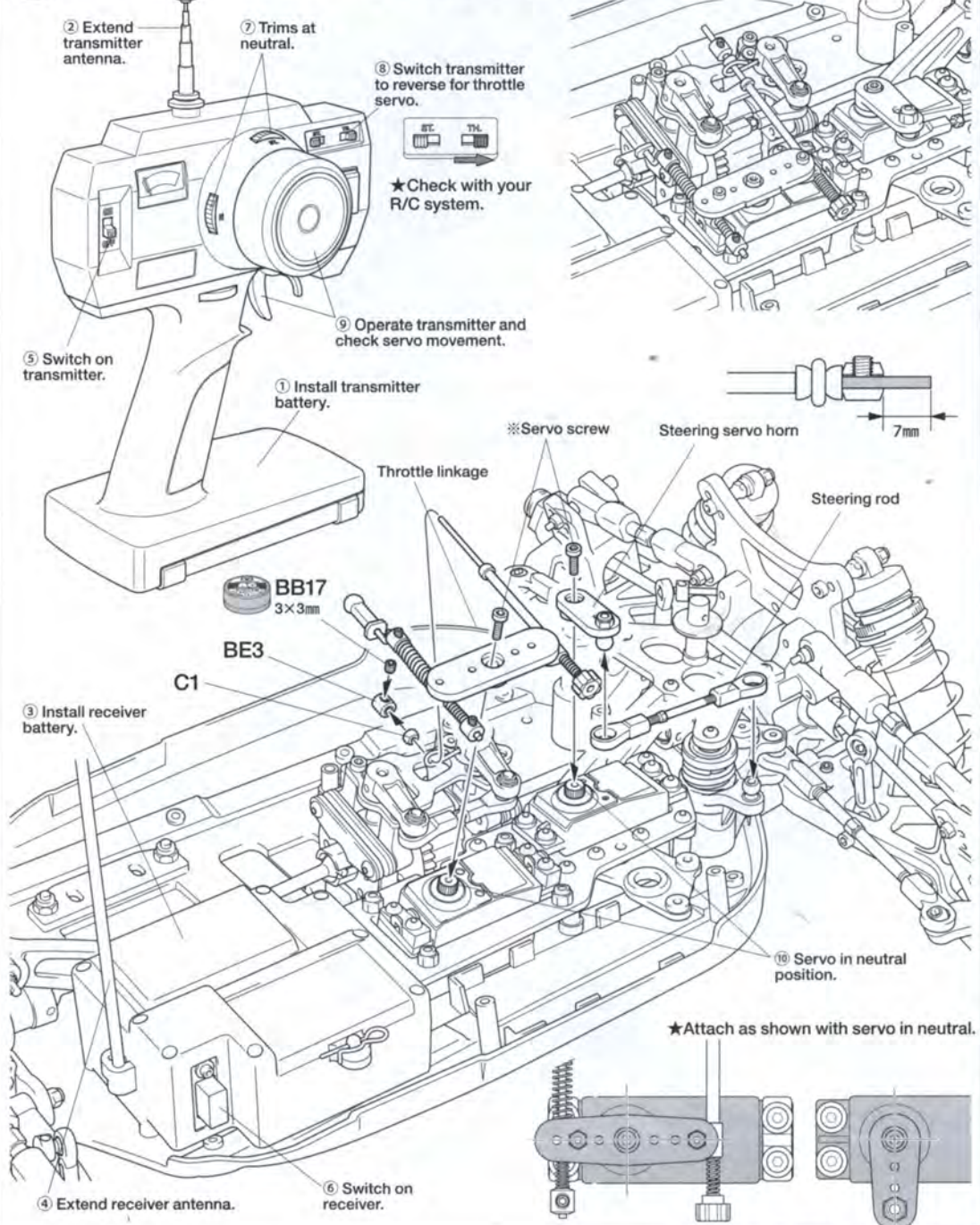


31 Throttle linkage








32 Attaching throttle linkage

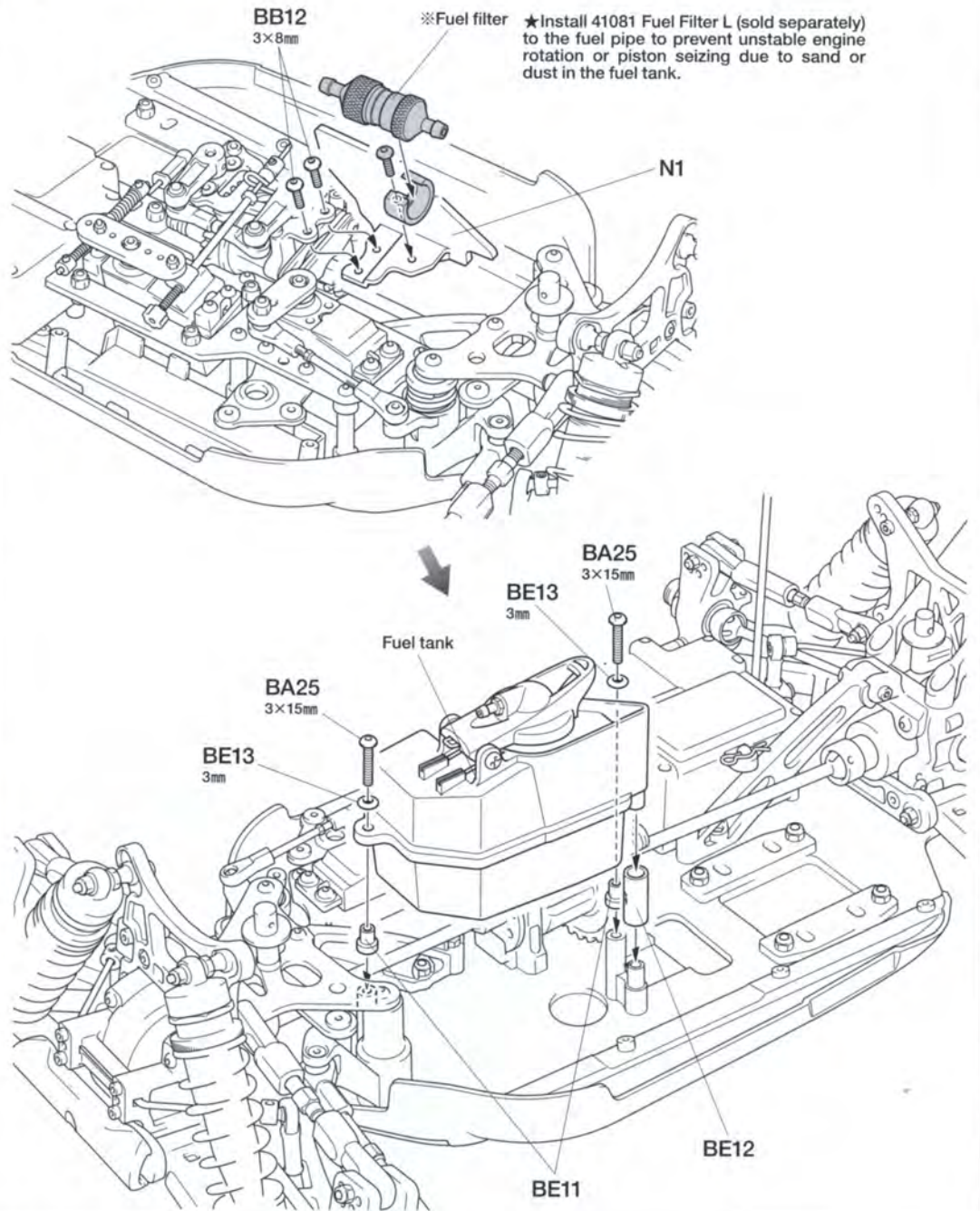
RADIO CHECK USING R/C UNIT
★Make sure the servo is in neutral prior to assembly.



33


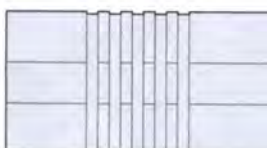
-  BE11 ×2
Tank bushing
-  BE12 ×1
Overflow tube
-  BE13 ×2
3mm O-ring
-  BA25 ×2
3×15mm
Button head screw
-  BB12 ×2
3×8mm
Button head screw



33 Attaching fuel tank

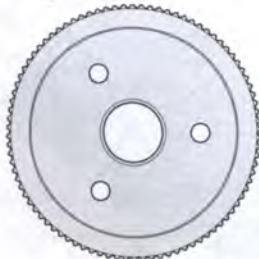




F 34~39 METAL PARTS BAG F

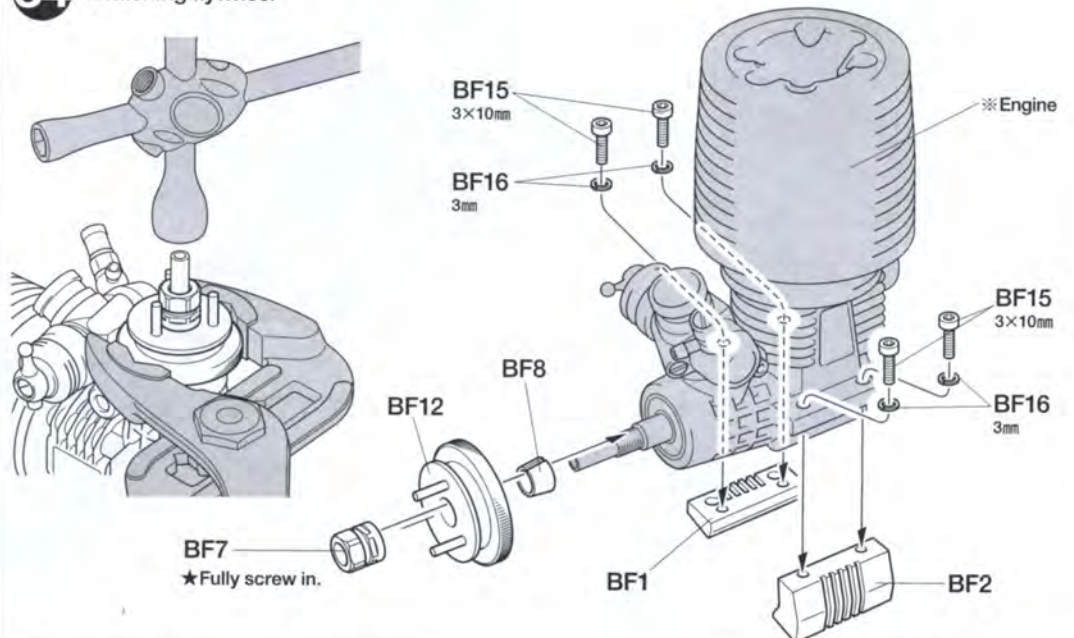
34

-  BF1 ×1
Engine mount (right)
-  BF2 ×1
Engine mount (left)

-  BF7 ×1
Pilot nut
-  BF8 ×1
Clutch collet

-  BF12 ×1
Flywheel
-  BF15 ×4
3×10mm Cap screw
-  BF16 ×4
3mm Spring washer

34 Attaching flywheel



35

BF4 ×2
1050 Ball bearing

BF6 ×1
3mm Head washer

BF9 ×3
Clutch shoe

BF10 ×3
Clutch spring

BF11 ×1
Clutch bell
14T

BF15 ×1
3×10mm Cap screw

BF18 ×1
5×20×0.2mm Shim

BF23 ×3
3×0.2mm Shim

★Adjustment shims

BF17 ×1
5×10×1mm Washer

BF19 ×1
5×0.1mm Shim

BF20 ×1
5×0.2mm Shim

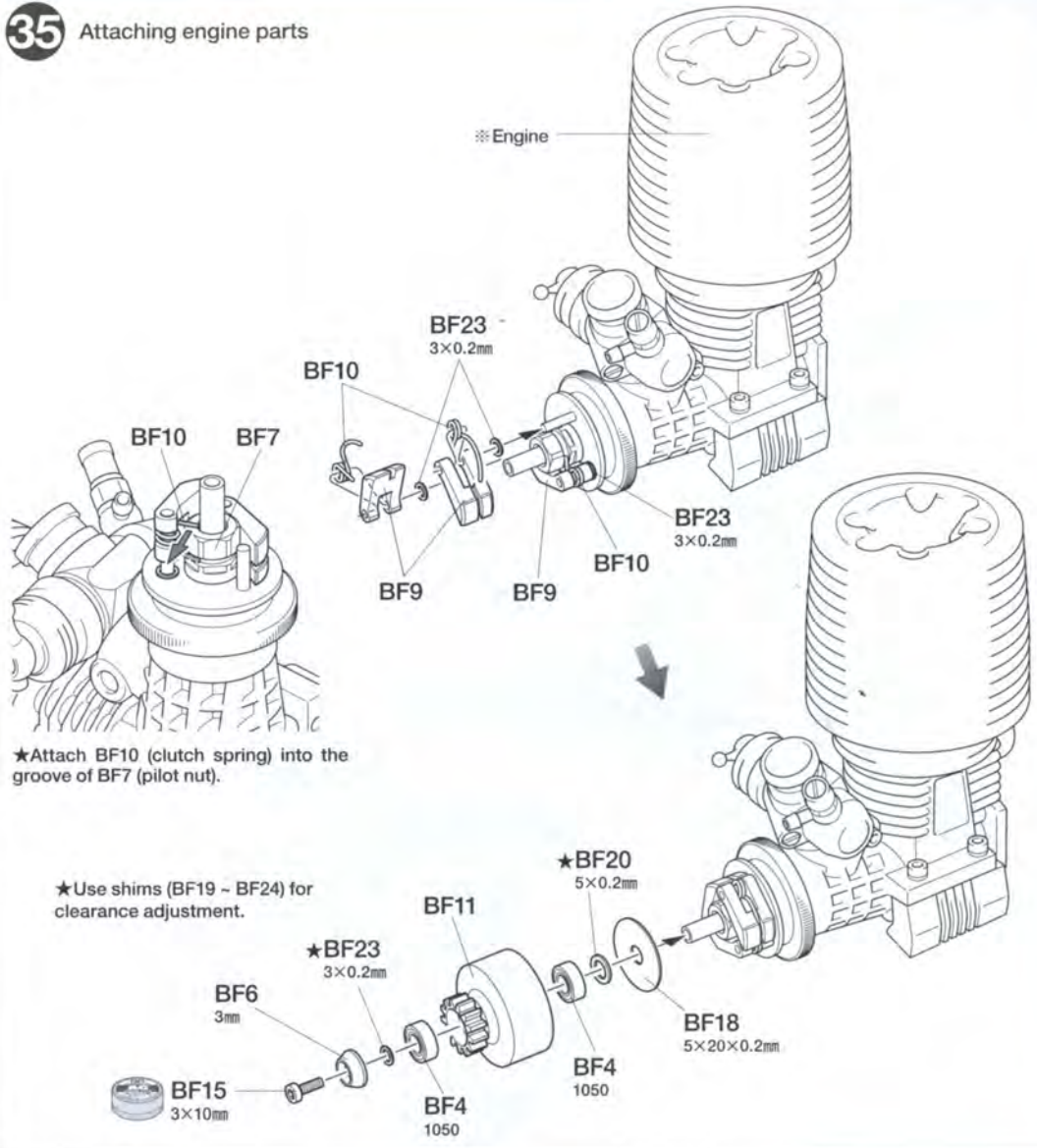
BF21 ×1
5×0.3mm Shim

BF22 ×1
3×0.1mm Shim

BF23 ×1
3×0.2mm Shim

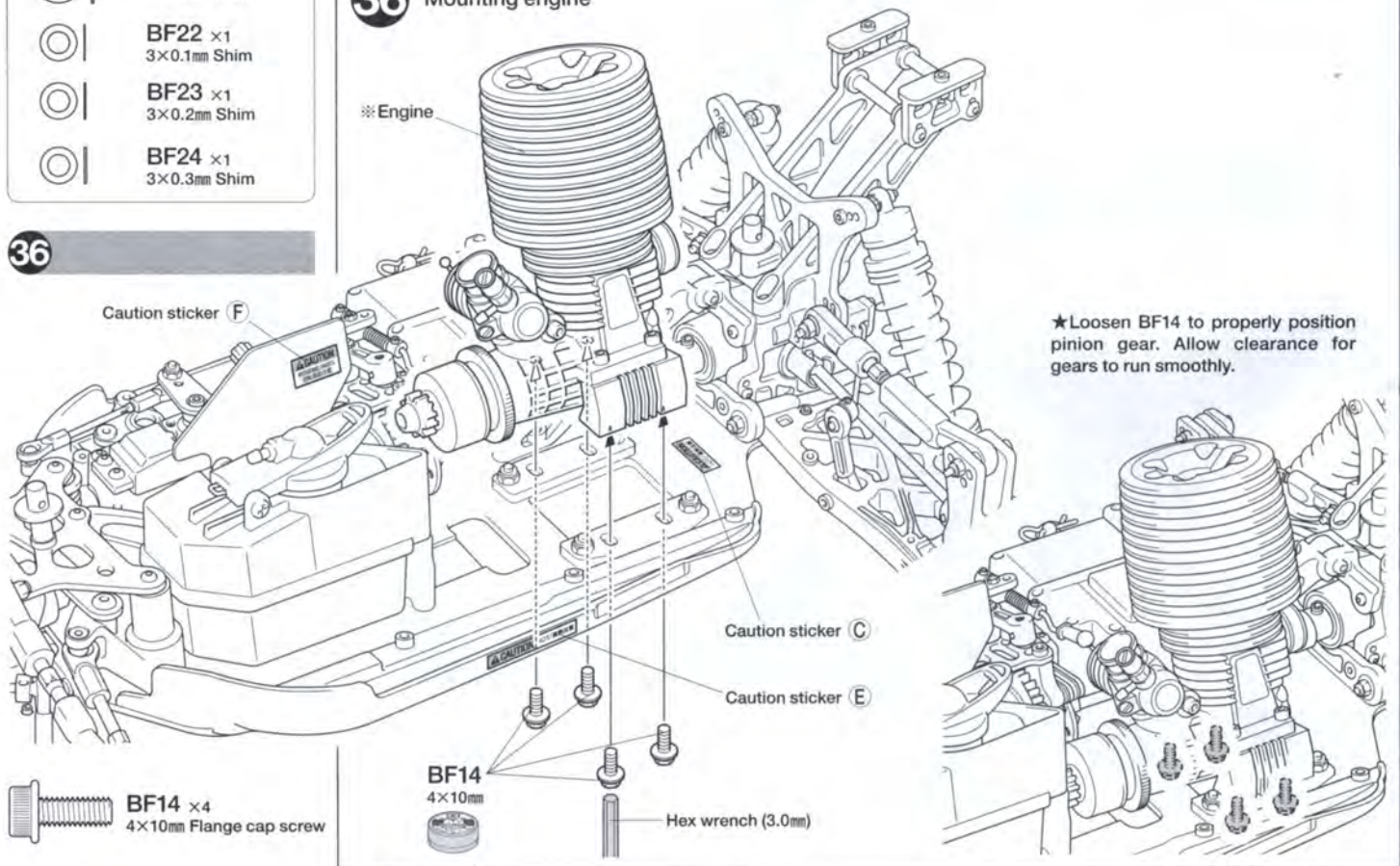
BF24 ×1
3×0.3mm Shim

35 Attaching engine parts



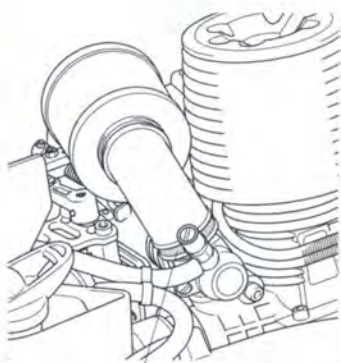
36

36 Mounting engine



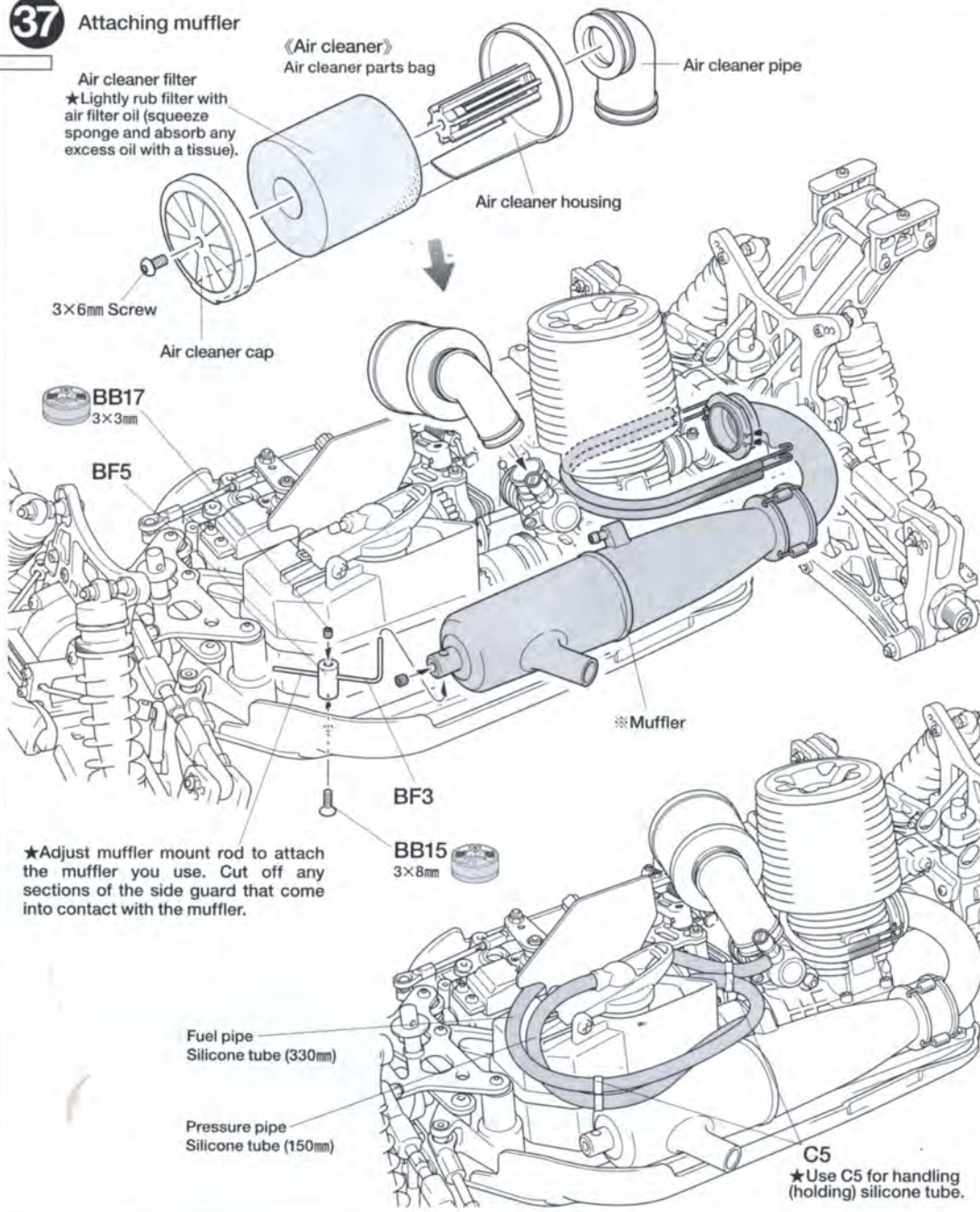
37

- BF3** ×1
Muffler mount rod
- BF5** ×1
Muffler mount
- BB15** ×1
3×8mm
Countersunk screw
- BB17** ×1
3×3mm
Grub screw



★Secure air cleaner pipe to engine with nylon band.

37 Attaching muffler

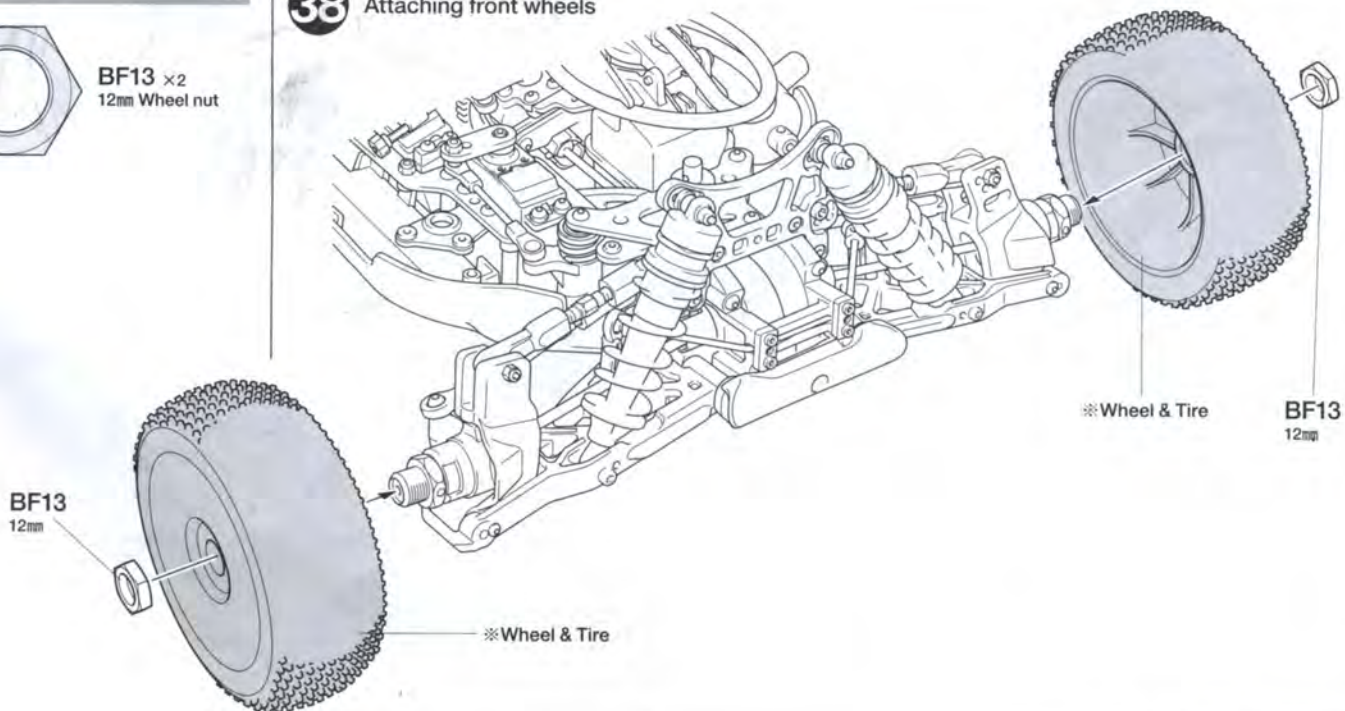


★Adjust muffler mount rod to attach the muffler you use. Cut off any sections of the side guard that come into contact with the muffler.

38

- BF13** ×2
12mm
Wheel nut

38 Attaching front wheels



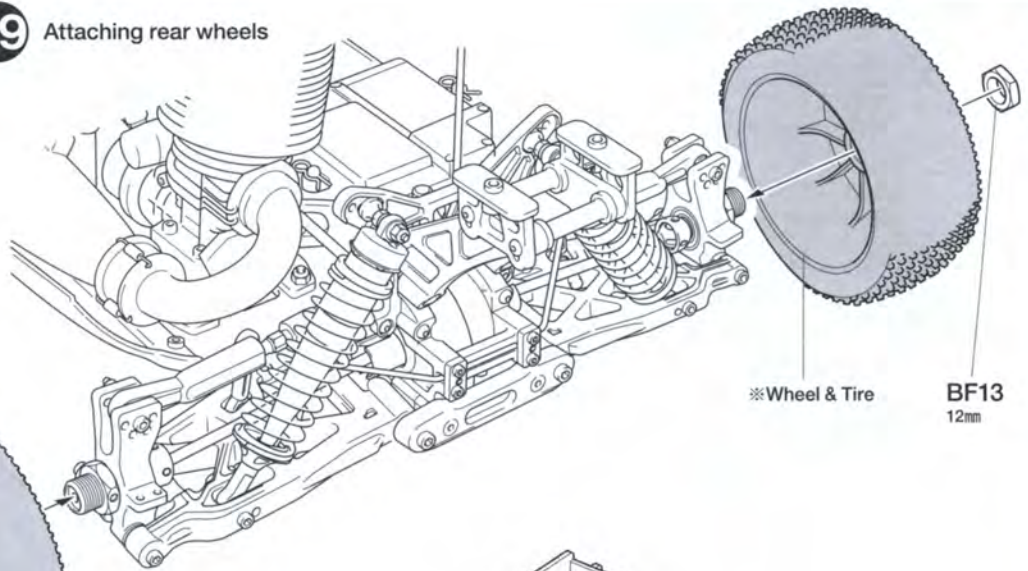
39



BF13 ×2
12mm Wheel nut

39

Attaching rear wheels



※Wheel & Tire

※Wheel & Tire

BF13
12mm

BF13
12mm

G

40~44

METAL PARTS BAG G

40



BG2 ×2
Wing washer



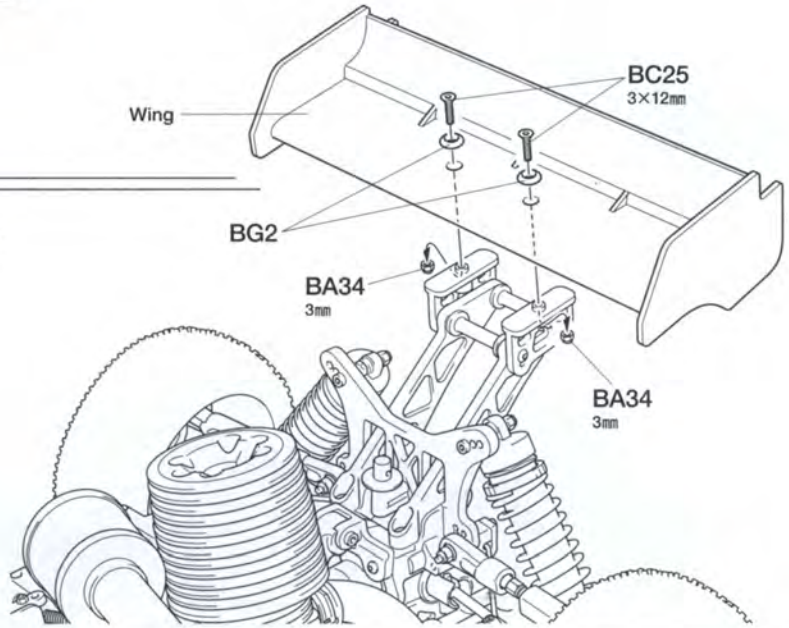
BC25×2
3×12mm
Countersunk screw



BA34 ×2
3mm Lock nut

40

Attaching wing



Wing

BG2

BC25
3×12mm

BA34
3mm

BA34
3mm

41

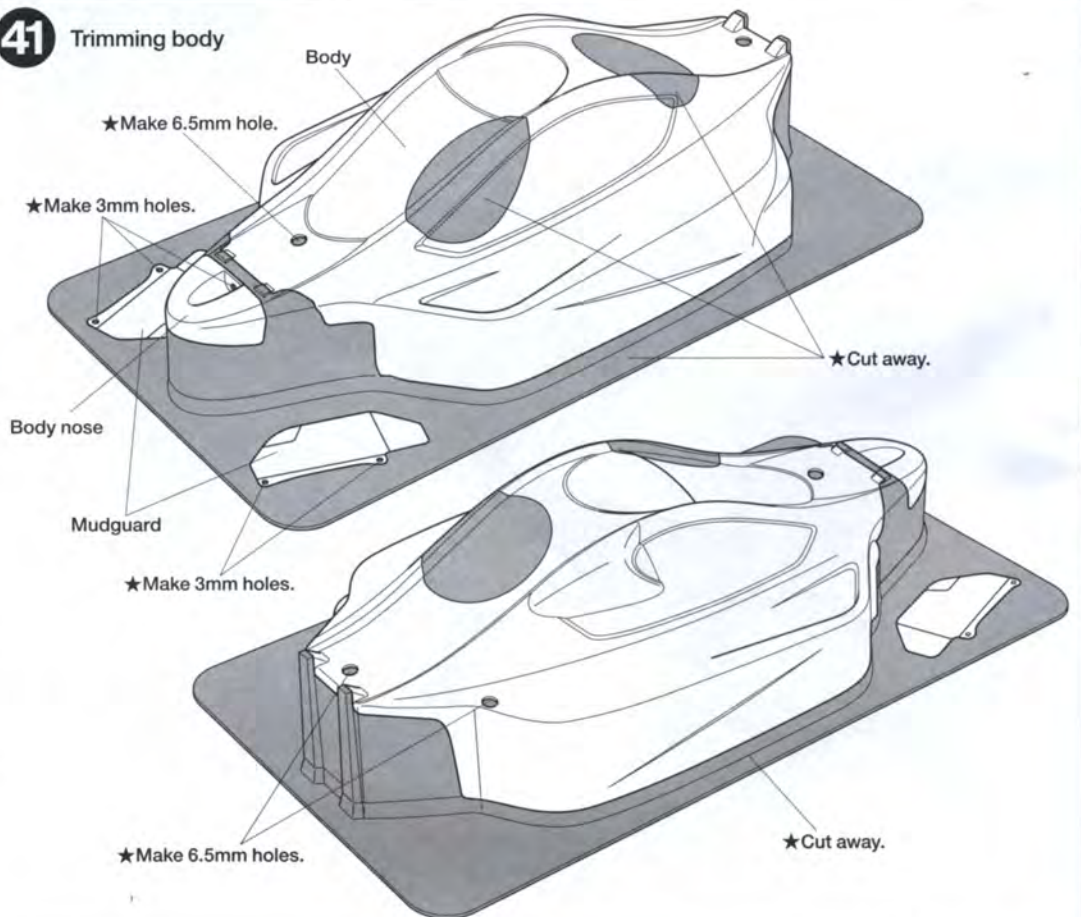
《Trimming》



★Cut off using scissors or a modeling knife.

41

Trimming body



Body

★Make 6.5mm hole.

★Make 3mm holes.

Body nose

Mudguard

★Make 3mm holes.

★Cut away.

★Make 6.5mm holes.

★Cut away.

《Preparing body for painting》



★Wash the body thoroughly with detergent in order to remove any oil, then rinse well and allow to air dry.

PAINTING

Paint body from inside using polycarbonate paints.

《Stickers》

- ① Cut out each sticker from sticker sheet in numbered order allowing a slight border. Peel off surrounding border.
- ② Peel away the lining slightly and place the sticker in position on the body.
- ③ Remove the lining slowly. Be careful not to move the sticker out of position and not to leave air bubbles under the sticker.



BG1 ×4
3×6mm Button head screw
9804212

TAMIYA COLOR CATALOGUE
The latest in cars, boats, tanks and ships. Motorized and museum quality models are all shown in full color in Tamiya's latest catalogue. English / Spanish, German / French and Japanese versions available.

TAMIYA COLOR
Polycarbonate paints

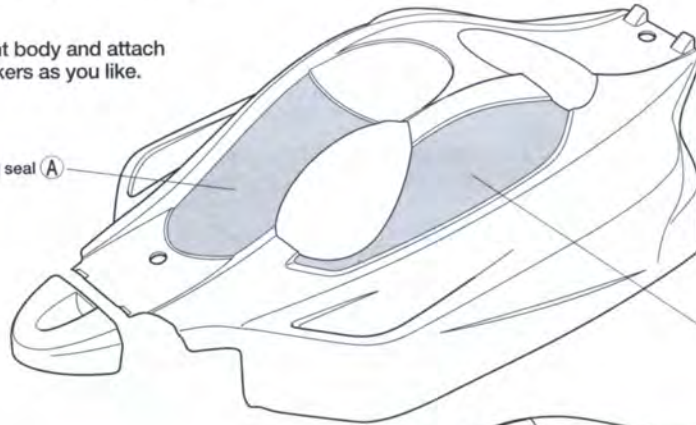


Painting and markings

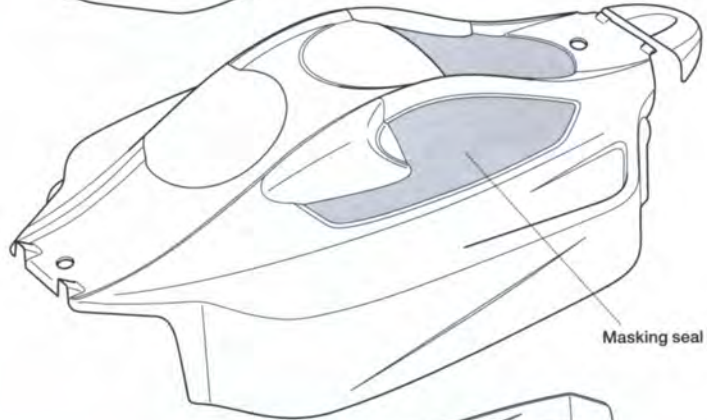
★After paint has cured, remove protective coating prior to adding stickers.

Paint body and attach stickers as you like.

Masking seal (A)



Masking seal (B)



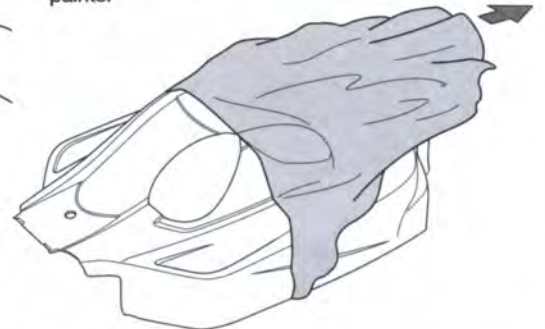
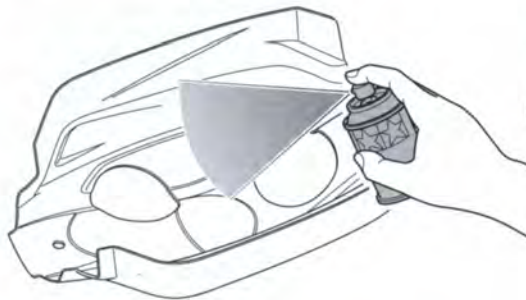
Masking seal (C)

《How to paint》

① ★Mask off window areas using masking stickers.



② ★Paint from inside using polycarbonate paints.

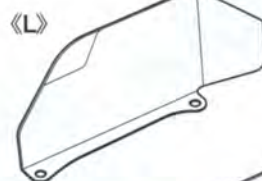


③ ★After paint has cured, remove protective coating prior to adding stickers.

Attaching mudguard

★Attach to both sides.

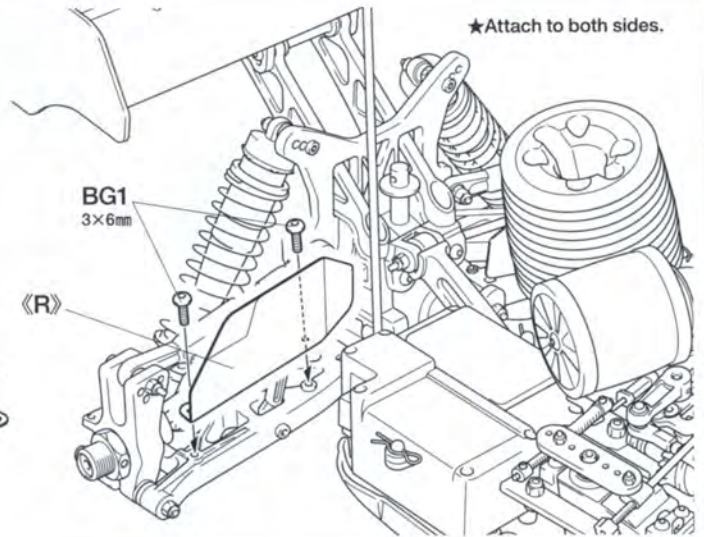
★Bend symmetrically.



(R)

BG1
3×6mm

(R)

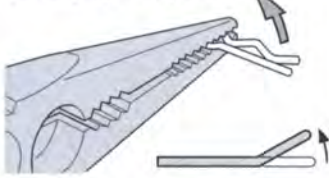


44

BB12 ×1
3×8mm Button head screw
9400776

BG3 ×2
7mm Snap pin

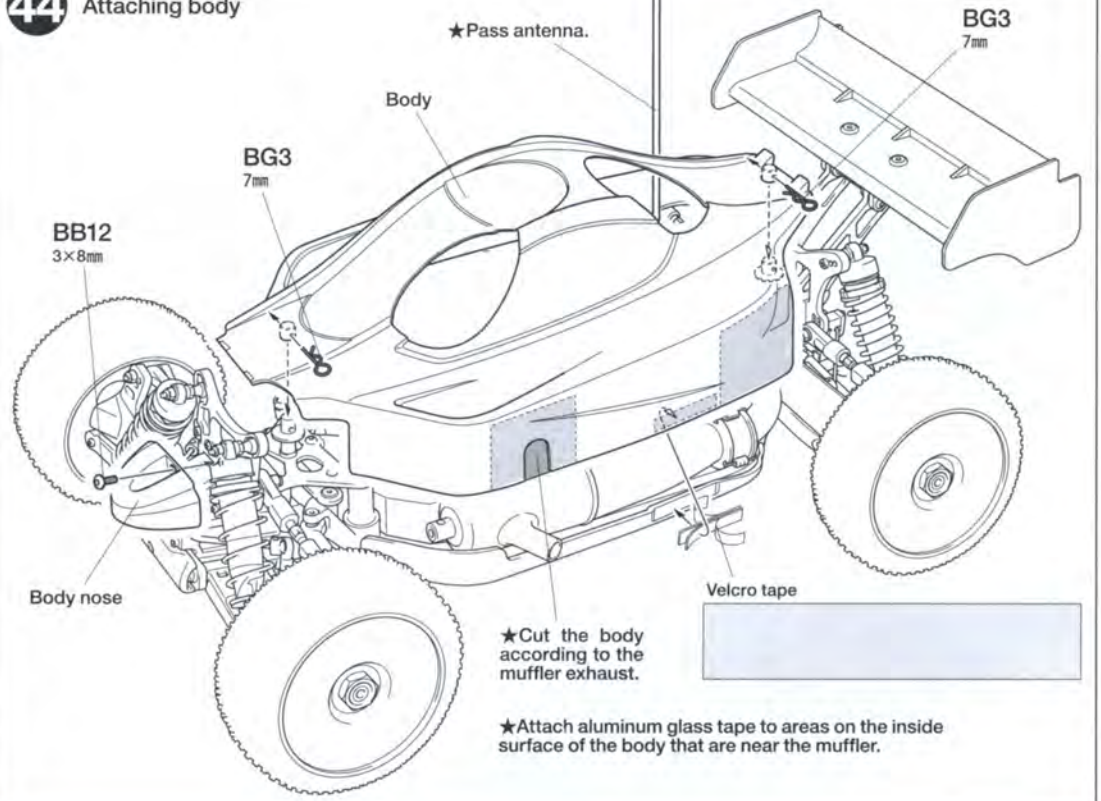
《Modifying snap pins》



★To make attaching / detaching easier, bend snap pins as shown. (2pcs.)

www.tamiyusa.com

44 Attaching body



Setting-up

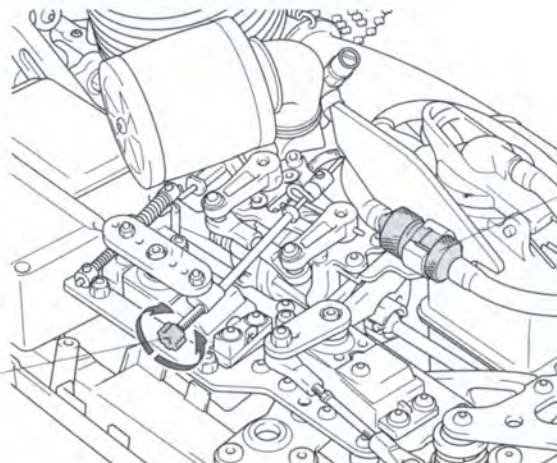
★To greatly enhance the overall performance of your car, it is necessary to tune the vehicle to the track (and its surface conditions) on which you will be racing. Make adjustments referring to the instruction manual, keeping in mind that "balance" is the key word.

●BRAKE ADJUSTMENTS

Brake may require adjustment after running. If adjustment is ineffective or brake parts are worn out, replace brake pads and brake rotors.

★Tightening C3 will quicken the brake response and loosening will delay the response.

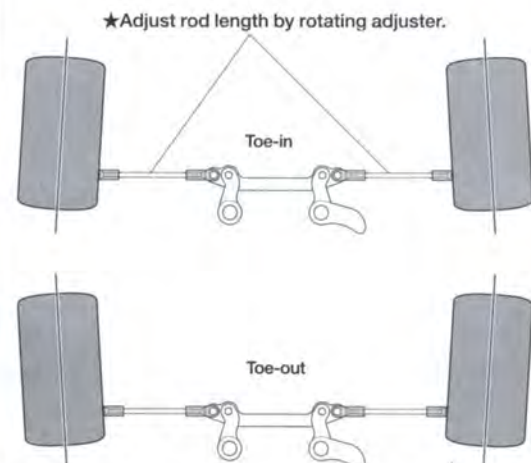
C3



★Running on a sandy or a dusty area may cause malfunction of R/C equipment or engine. Follow the instructions outlined below for dust proofing before running on such surfaces. Install 41081 Fuel Filter L (sold separately) to the fuel pipe to prevent unstable engine rotation or piston seizing due to sand or dust in the fuel tank.

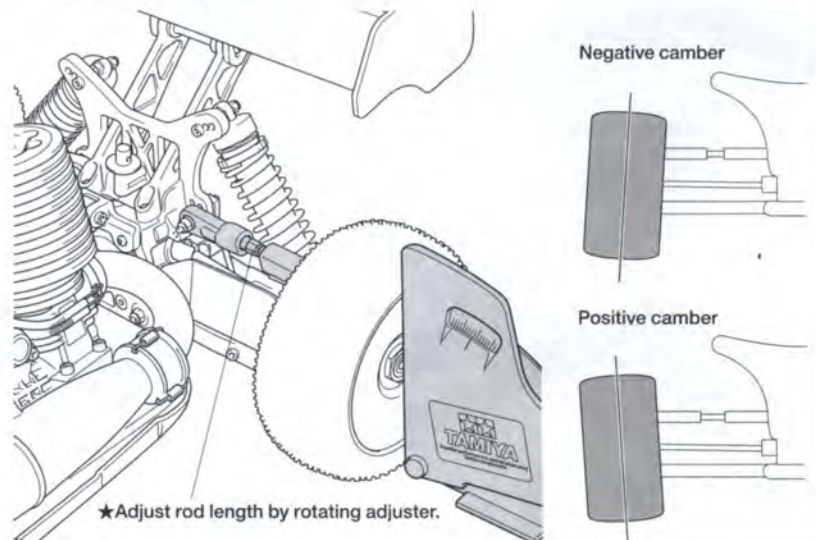
●TOE-IN AND TOE-OUT

Adjusting the car to toe-in a little, by pointing the wheels inwards, provides the car with good straight running and moderate steering characteristics. Toe-out, which point the wheels outwards, gives sharp and crisp steering. Take care not to overdo. Begin with a little toe-in and work from there.



●CAMBER ANGLE

While taking the corners, the car is forced to go outwards, causing instability. The area of contact on each tire is determined by the camber angle, and therefore the traction of the tires can be made greater or lesser by adjustment of camber angle. To increase traction during cornering, adjust camber angle to negative, and to reduce traction, adjust to positive camber.



CAUTIONS TO OBSERVE WHEN OPERATING R/C MODELS

To avoid serious personal injury and/or property damage, operate all remote controlled models in a responsible manner as outlined below. Operate in a wide open space that will not inconvenience others.

- Never run R/C models near people or animals, nor use people or animals as obstacles.
- Never run R/C models on streets or highways, as it could cause a serious traffic accident.
- Avoid running R/C models in restricted, confined or crowded areas to prevent damage to property and/or personal injury.
- Be aware of your environment. Do not operate your model in an area where noise might disturb others.
- Make sure that no one else is using the same frequency at the same time, whether it is driving, flying or sailing, as it can cause loss of control of the R/C models, resulting in serious accidents.

INSPECTION BEFORE OPERATION

- 1** Make sure that screws & nuts are properly secured/tightened.
- 2** Make sure that batteries for transmitter and receiver are fresh. Flat batteries can cause model to run out of control.
- 3** Adjust steering servo and trim so that the model runs straight with transmitter in neutral.
- 4** Double check throttle valve for idle (neutral position). Improper adjustment can result in an out of control model.
- 5** Double check needle valve for correct setting. Engine may not start when needle valve is not properly set.
- 6** Make certain that air cleaner and muffler are clean and properly installed. Never run without these components as it can damage model.
- 7** Make certain that tubing/pipes are not clogged or cracked, as it can cause leaks and engine failure.
- 8** Apply grease to gears, bearings, etc.

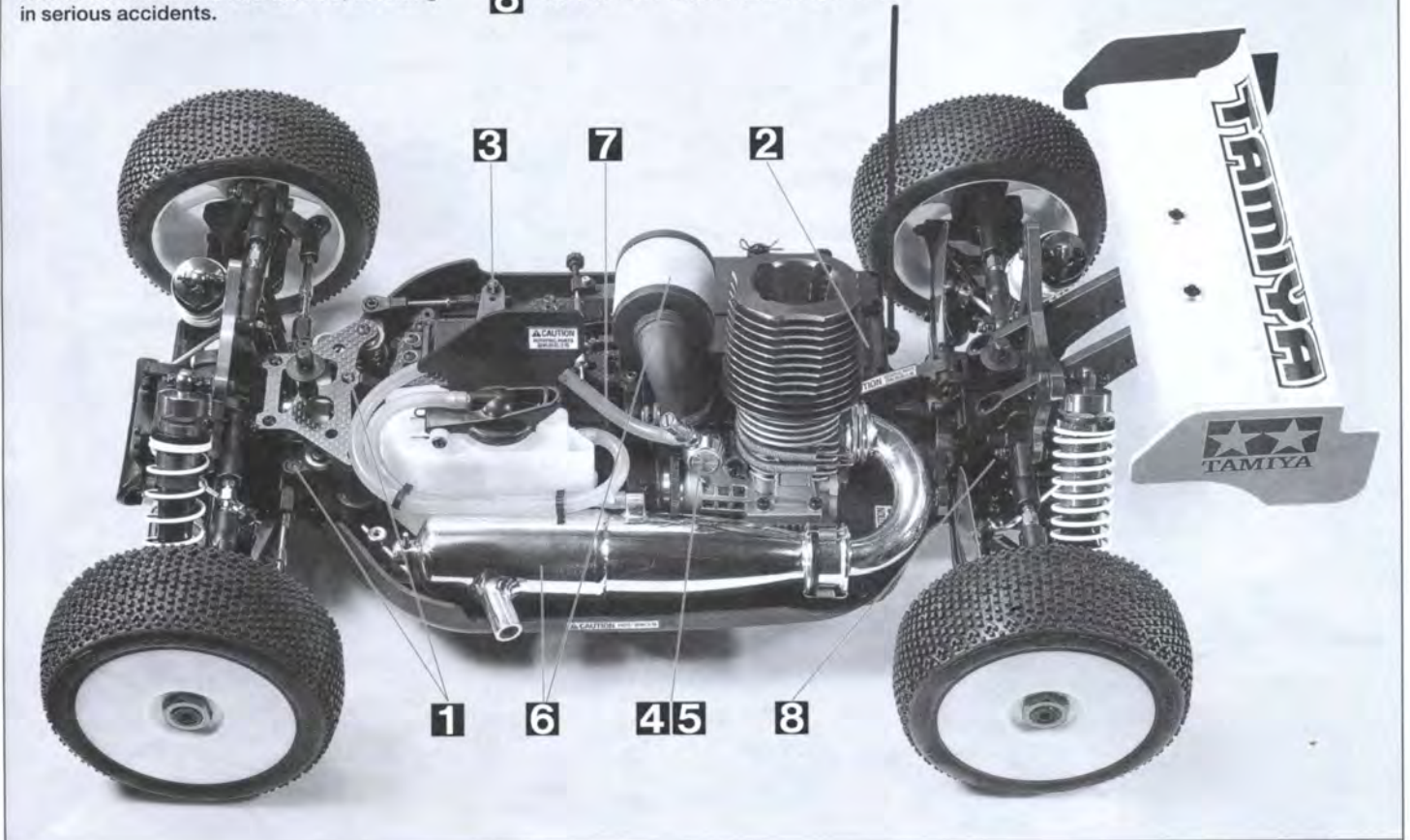
HEAT, FIRE AND FUEL SAFETY

★ Use only approved glow engine fuels. Glow fuels are extremely flammable. Do not drink or inhale fumes. Avoid eye & skin contact. Use only in a well ventilated area. Keep away from heat and open flame. Keep away from children. Improper use of glow fuels can result in serious injury and/or property damage.

MAINTENANCE AFTER RUNNING

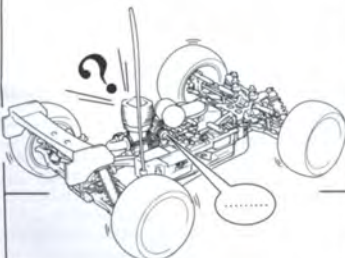
★ Vehicle components such as the engine, muffler, etc. become extremely hot during use and can cause burns if touched. Allow to cool before cleaning and maintenance.

- Remove fuel from fuel tank and silicone tube after use.

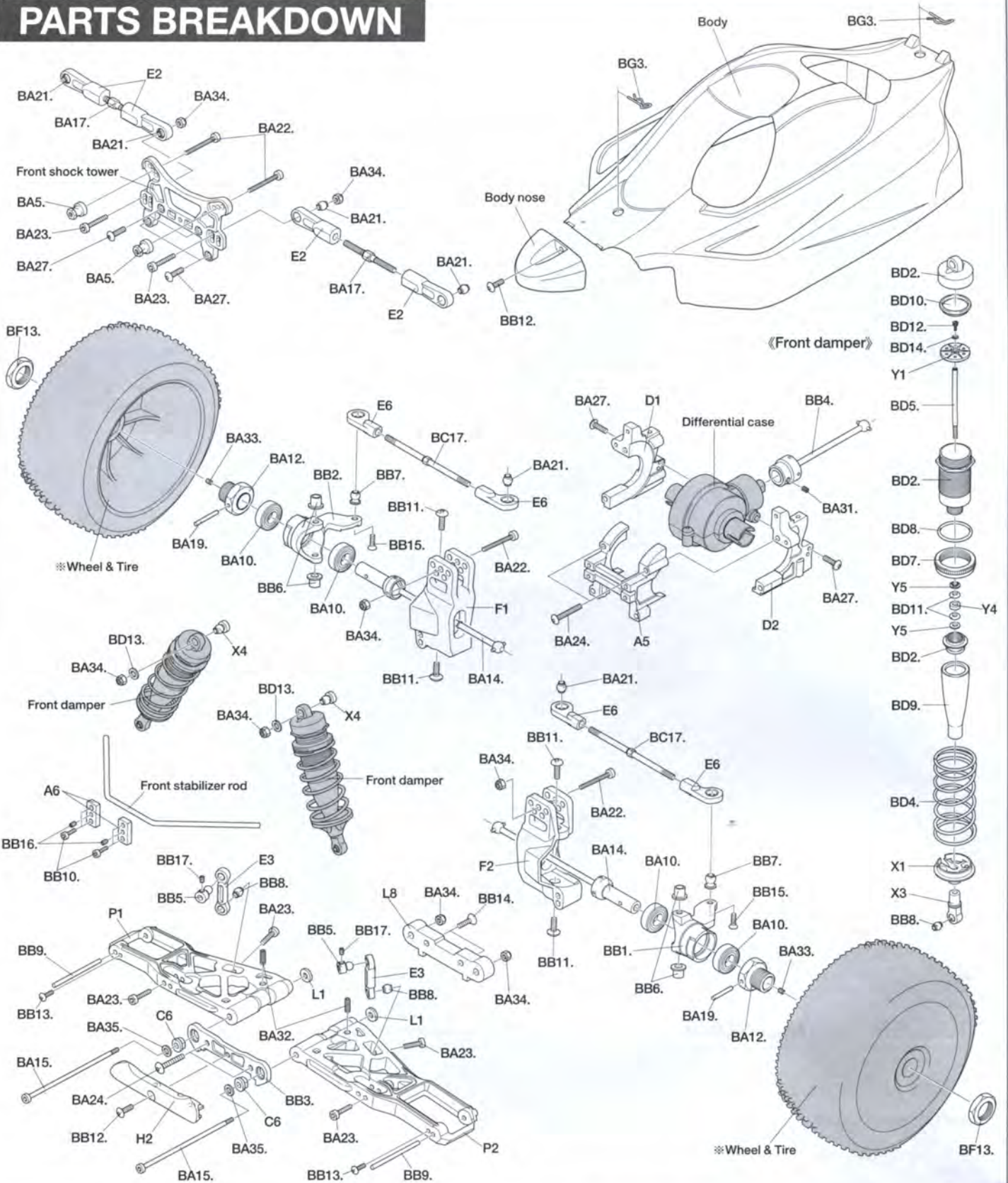


TROUBLESHOOTING GUIDE

★ Before sending your R/C model in for repair, check it again using the below diagram.

PROBLEM	CAUSE	REMEDY
ENGINE DOES NOT START 	<ul style="list-style-type: none"> ● Empty fuel tank. Throttle valve not primed. ● Dead plug and/or dead glow plug heater battery. ● Clogged fuel filter, muffler or air cleaner. ● Over choked (over primed). Cylinder flooded with fuel. ● Bad throttle valve adjustment. 	<ul style="list-style-type: none"> ● Fill fuel tank with glow fuel and prime throttle valve. ● Replace with new plug and/or plug heater battery. ● Clean or replace. ● Remove plug and discharge fuel. Check plug operation (connect to a fresh battery and check for a bright orange glow). ● Set needle valve and idle to standard position.
ENGINE STALLS	<ul style="list-style-type: none"> ● Clogged fuel filter, muffler or air cleaner. ● Over heat. ● Bad throttle valve adjustment. ● Pressure and fuel pipes are not installed properly. 	<ul style="list-style-type: none"> ● Clean or replace. ● Thoroughly cool engine and close needle valve 1/8 turn. ● Adjust using needle valve. ● Properly install pipes.
BAD CONTROL	<ul style="list-style-type: none"> ● Weak batteries in transmitter and receiver. ● Transmitter and receiver antenna not fully extended. ● Bad servo linkage adjustment. 	<ul style="list-style-type: none"> ● Install fresh batteries. ● Fully extend antennas. ● Adjust with servo in neutral.

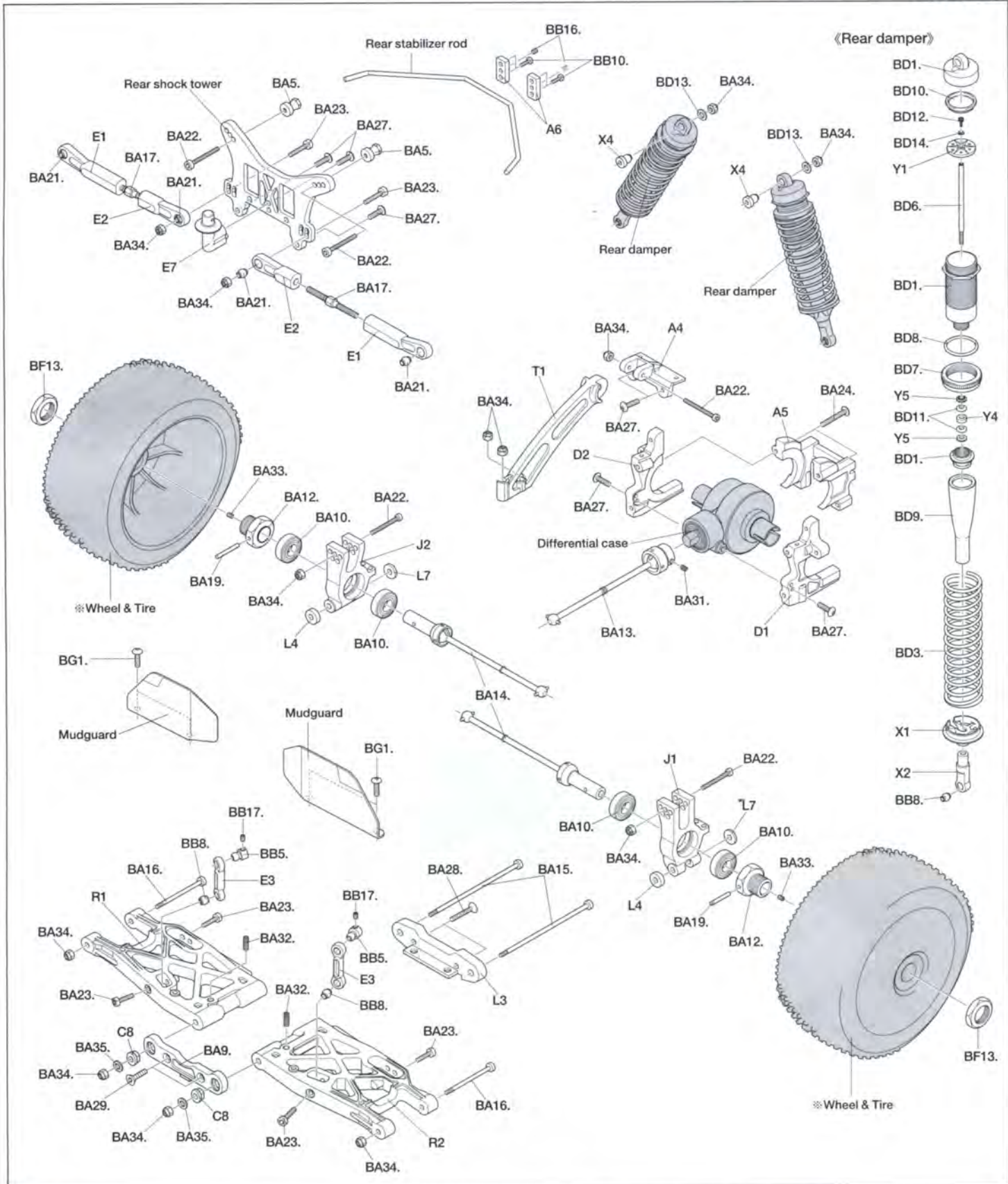
PARTS BREAKDOWN



PARTS CODE	
● A parts (A1 - A8)	19004251
● C parts (C1 - C11)	19004252
● D parts (D1 & D2)	19004253
● E parts (E1 - E7)	19004254
● F parts (F1 & F2)	19004255
● G parts (G1)	19004241
● H parts (H1 - H4)	19004235
● J parts (J1 & J2)	19114048
● K parts (K1 & K2)	19114060
● L parts (L1 - L9)	19114050
● M parts (M1 - M8)	19114051
● N parts (N1 - N4)	19114061
● P parts (P1 & P2)	19114062
● R parts (R1 & R2)	19114063
● S parts (S1 - S4)	19114064
● T parts (T1 - T3)	19224033
● X parts (X1 - X4)	19224030
● Y parts (Y1 - Y5)	19224031
● Chassis	19400967
● Fuel tank	19400952
● Body	19334130

● Wing	19334126
● Antenna pipe	16094007
● METAL PARTS BAG A	
Rear shock tower	19400960
BA1. Ring gear	19400964
BA2. Pinion gear	19400965
BA3. Diff. gear 20T	19404943
BA4. Diff. gear 10T	19404943
BA5. Upper shock mount	19404949
BA6. Wiper brace	19404961
BA7. Diff. drive cup	19404963
BA8. Diff. gasket	19404970
BA9. Rear susp. block	19404929
BA10. 1680 Ball bearing	19805549
BA11. Diff. case ring	19404995
BA12. 17mm Wheel hub	19400963
BA13. Center drive shaft (rear)	19400951
BA14. Drive shaft	19400949
BA15. Inner hinge pin	19404946
BA16. Outer hinge pin (rear)	19404948
BA17. 5x50mm Turn-buckle shaft	19404964
BA18. Diff. shaft	19404943

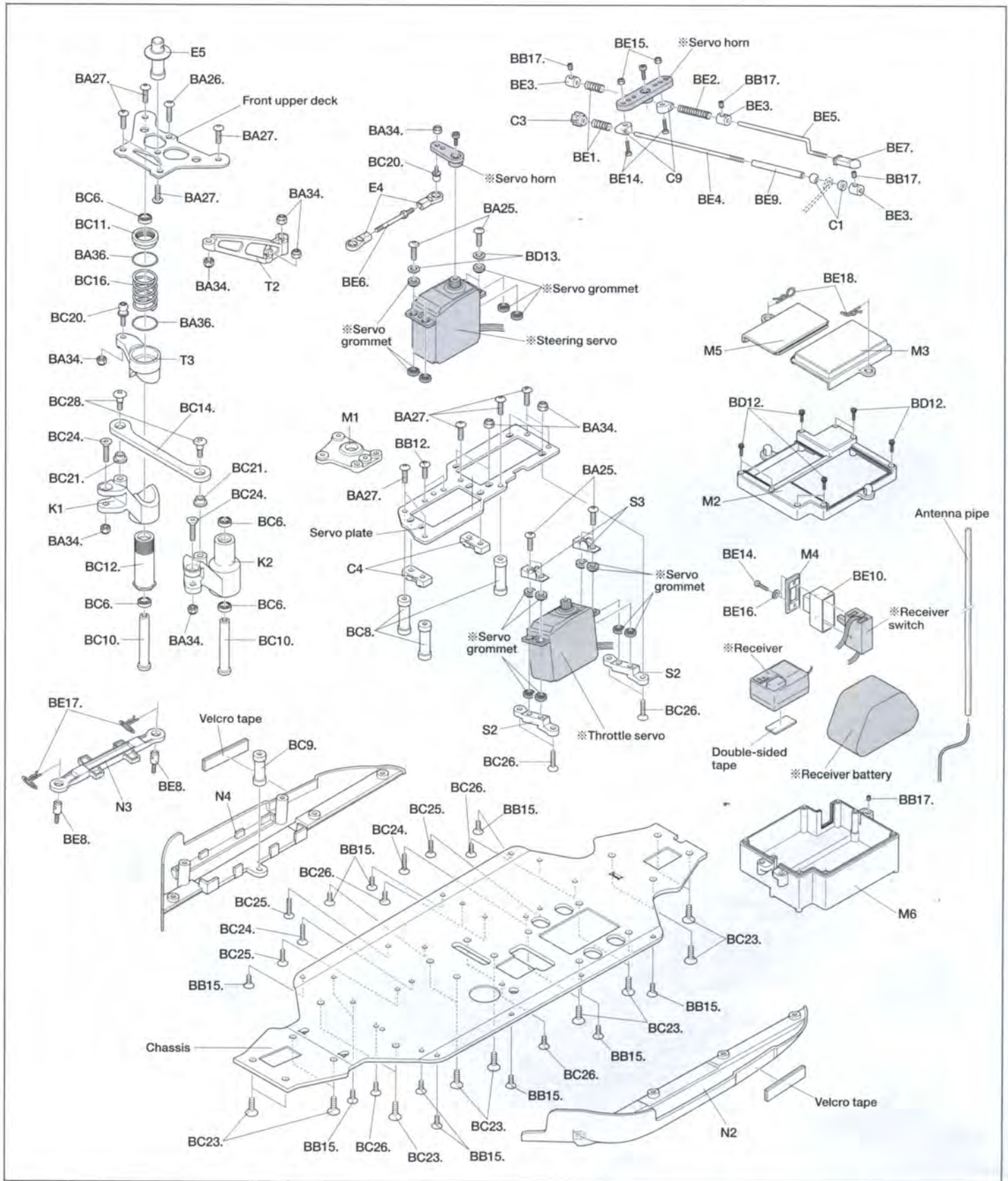
BA19. 2.6x17mm Shaft	19404952
BA20. 2.6x13.8mm Shaft	19404943
BA21. 7mm Ball collar	19404940
BA22. 3x25mm Cap screw	19400774
BA23. 3x18mm Cap screw	19400773
BA24. 3.5x25mm Button head screw	19400789
BA25. 3x15mm Button head screw	19400779
BA26. 3x12mm Button head screw	19400778
BA27. 3x10mm Button head screw	19400777
BA28. 3.5x25mm Countersunk screw	19400788
BA29. 3.5x12mm Countersunk screw	19400786
BA30. 3x15mm Countersunk screw	19400784
BA31. 5x5mm Grub screw	19808090
BA32. 4x12mm Grub screw	19400779
BA33. 4x4mm Grub screw	19804204
BA34. 3mm Lock nut	19804364
BA35. 4mm Washer	19804370
BA36. 13x0.2mm Shim	19404976
BA37. 4x0.2mm Shim	53586
BA38. 6mm O-ring	19400795
● METAL PARTS BAG B	
Front shock tower	19400959



Rear stabilizer rod	19400970
Front stabilizer rod	19400969
BB1. Steering knuckle (left)	19400956
BB2. Steering knuckle (right)	19400957
BB3. Front susp. block	19404928
BB4. Center drive shaft (front)	19400950
BB5. 6mm Ball end	19804369
BB6. Steering knuckle collar	19404945
BB7. 7mm Ball nut	19404942
BB8. 6mm Ball collar	19804329
BB9. 3x34.8mm Shaft	19400955
BB10. 2.5x8mm Cap screw	19400770
BB11. 4x10mm Button head screw	19400780
BB12. 3x8mm Button head screw	19400776
BB13. 2.5x6mm Button head screw	19400972
BB14. 3.5x16mm Countersunk screw	19400787
BB15. 3x8mm Countersunk screw	19400781
BB16. 3x4mm Grub screw	19400974
BB17. 3x3mm Grub screw	50576
BA5. Upper shock mount	19404949
BA10. 1680 Ball bearing	19805549
BA12. 17mm Wheel hub	19400963

BA14. Drive shaft	19400949
BA15. Inner hinge pin	19404946
BA17. 5x50mm Turn-buckle shaft	19404964
BA19. 2.6x17mm Shaft	19404952
BA21. 7mm Ball collar	19404940
BA22. 3x25mm Cap screw	19400774
BA23. 3x18mm Cap screw	19400773
BA24. 3.5x25mm Button head screw	19400789
BA27. 3x10mm Button head screw	19400777
BA31. 5x5mm Grub screw	19808090
BA32. 4x12mm Grub screw	19400792
BA33. 4x4mm Grub screw	19804204
BA34. 3mm Lock nut	19804364
BA35. 4mm Washer	19804370
● METAL PARTS BAG C	
Front upper deck	19400946
Center diff. upper deck	19404919
BC1. Spur gear	19400966
BC2. Brake cam	19404937
BC3. Brake arm	19404979
BC4. Brake caliper (silver)	19404972
BC5. Brake pad (blue)	19400948

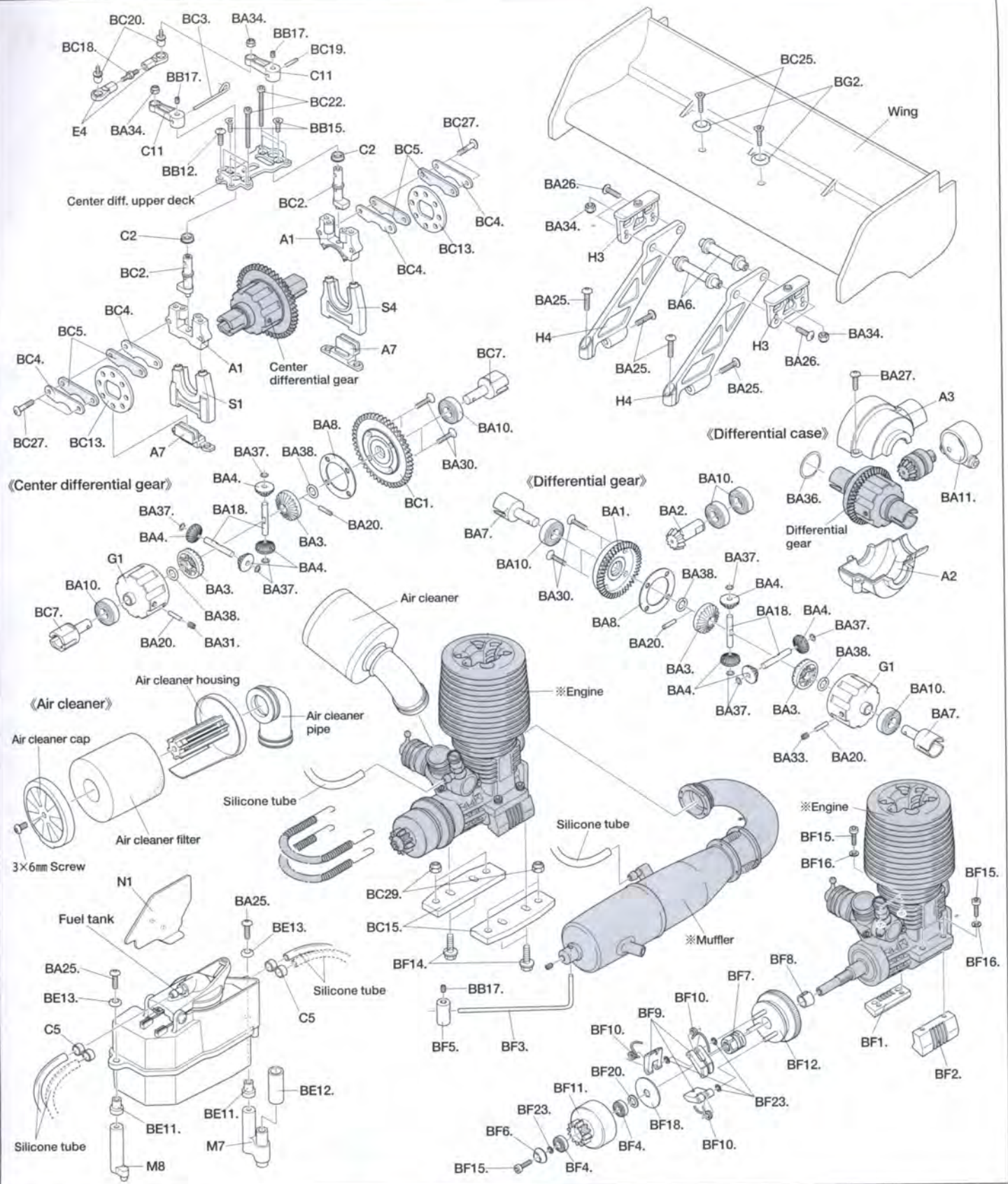
BC6. 1060 Ball bearing	53270
BC7. Center drive cup	19404962
BC8. Radio tray post	19404936
BC9. Radio tray post (short)	19400961
BC10. Steering post	19404939
BC11. Servo saver adjuster	19404938
BC12. Servo saver tube	19404938
BC13. Brake rotor	19404971
BC14. Ackerman plate	19400968
BC15. Engine mount plate	19404973
BC16. Servo saver spring	19404984
BC17. 4x61mm Turn-buckle shaft	19400954
BC18. 3x18mm Turn-buckle shaft	19400796
BC19. 2x10mm Shaft	50594
BC20. 6mm Ball connector	19404941
BC21. Steering bushing collar	19400962
BC22. 3x30mm Cap screw	19400775
BC23. 4x12mm Countersunk screw	19400791
BC24. 3x18mm Countersunk screw	19400785
BC25. 3x12mm Countersunk screw	19400783
BC26. 3x10mm Countersunk screw	19400782
BC27. 3x13.7mm Brake screw	19404996



BC28. 3×9.8mm Steering bushing bolt	19400953
BC29. 4mm Lock nut	19400975
BA3. Diff. gear 20T	19404943
BA4. Diff. gear 10T	19404943
BA8. Diff. gasket	19404970
BA10. 1680 Ball bearing	19805549
BA18. Diff. shaft	19404943
BA20. 2.6×13.8mm Shaft	19404943
BA21. 7mm Ball collar	19404940
BA22. 3×25mm Cap screw	19400774
BA26. 3×12mm Button head screw	19400778
BA27. 3×10mm Button head screw	19400777
BA30. 3×15mm Countersunk screw	19400784
BA33. 4×4mm Grub screw	19804204
BA34. 3mm Lock nut	19804364
BA36. 13×0.2mm Shim	19404976
BA37. 4×0.2mm Shim	53586
BA38. 6mm O-ring	19400795
BB15. 3×8mm Countersunk screw	19400781
BB17. 3×3mm Grub screw	50576
● METAL PARTS BAG D	
BD1. Rear damper body	19404921

BD2. Front damper body	19404920
BD3. Rear spring	19400997
BD4. Front spring	19400986
BD5. Front damper shaft	19404922
BD6. Rear damper shaft	19404923
BD7. Pre-load adjuster	19404924
BD8. 18mm O-ring	19404924
BD9. Damper boot	19404992
BD10. Diaphragm	19404994
BD11. 3.5mm Silicone O-ring	19404989
BD12. 2×6mm Cap screw	19400769
BD13. 3mm Washer	50586
BD14. 2mm Spring washer	19400794
BD23. 3×18mm Cap screw	19400773
BA34. 3mm Lock nut	19804364
BB8. 6mm Ball collar	19804329
● METAL PARTS BAG E	
Servo plate	19400947
Double-sided tape (20×40mm)	50171
BE1. Brake linkage spring (short)	19404986
BE2. Throttle linkage spring (long)	19404985
BE3. Rod stopper	19804221

BE4. Brake linkage rod (80mm)	19404987
BE5. Throttle linkage crank rod (61mm)	19400971
BE6. 3×38mm Turn-buckle shaft	12520033
BE7. 4mm Adjuster	10445563
BE8. Mount screw	19805886
BE9. Plastic pipe (33mm)	16094008
BE10. Switch boot	19404990
BE11. Tank bushing	19404993
BE12. Overflow tube	19404991
BE13. 3mm O-ring	19805240
BE14. 2×10mm Cap screw	19805632
BE15. 2mm Lock nut	19805889
BE16. 2mm Washer	19805758
BE17. Snap pin (large)	50197
BE18. 6mm Snap pin	19805702
BA25. 3×15mm Button head screw	19400779
BA27. 3×10mm Button head screw	19400777
BA34. 3mm Lock nut	19804364
BA35. 4mm Washer	19804370
BB12. 3×8mm Button head screw	19400776
BB17. 3×3mm Grub screw	50576
BC20. 6mm Ball connector	19404941



BC26. 3×10mm Countersunk screw	19400782
BD12. 2×6mm Cap screw	19400769
BD13. 3mm Washer	50586
METAL PARTS BAG F	
Silicone tube (500mm)	19404998
BF1. Engine mount (right)	19400958
BF2. Engine mount (left)	19400958
BF3. Muffler mount rod	19404982
BF4. 1050 Ball bearing	19404999
BF5. Muffler mount	19404935
BF6. 3mm Head washer	19404957
BF7. Pilot nut	19404958
BF8. Clutch collet	19404959
BF9. Clutch shoe	19404960
BF10. Clutch spring	19404983
BF11. Clutch bell	84039
BF12. Flywheel	19404959
BF13. 12mm Wheel nut	19404950
BF14. 4×10mm Flange cap screw	19400793
BF15. 3×10mm Cap screw	19400771
BF16. 3mm Spring washer	50587
BF17. 5×10×1mm Washer	19404975

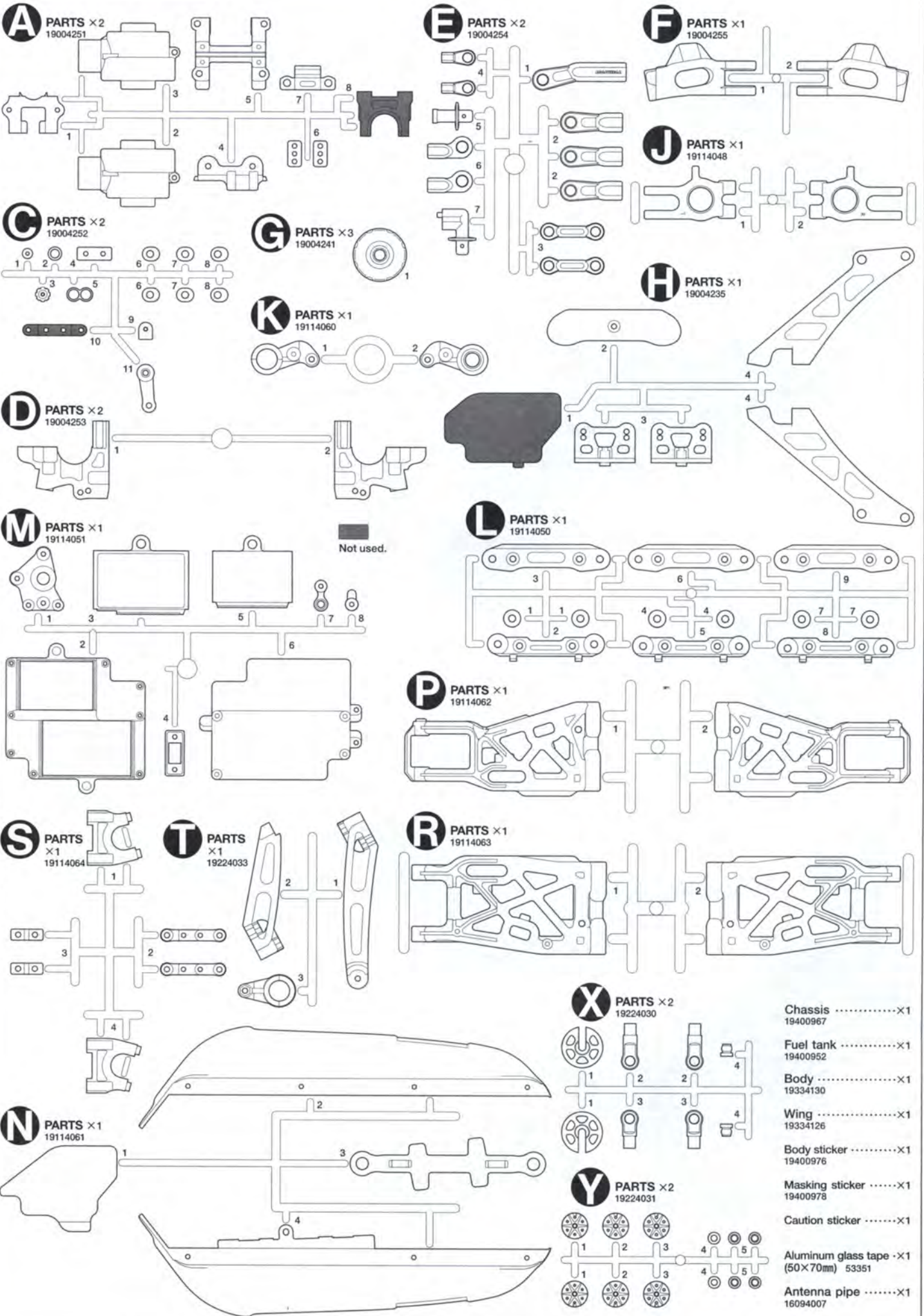
BF18. 5×20×0.2mm Shim	19404974
BF19. 5×0.1mm Shim	53587
BF20. 5×0.2mm Shim	53587
BF21. 5×0.3mm Shim	53587
BF22. 3×0.1mm Shim	53585
BF23. 3×0.2mm Shim	53585
BF24. 3×0.3mm Shim	53585
BB15. 3×8mm Countersunk screw	19400781
BB17. 3×3mm Grub screw	50576
METAL PARTS BAG G	
Velcro tape (20×50mm)	19400977
BG1. 3×6mm Button head screw	19400973
BG2. Wing washer	19805631
BG3. 7mm Snap pin	50956
BA34. 3mm Lock nut	19804364
BB12. 3×8mm Button head screw	19400776
BC25. 3×12mm Countersunk screw	19400783
TOOL BAG	
Hex wrench (3.0mm)	12990058
Box wrench	19404997
Air cleaner parts bag	41063
Air cleaner filter	41064

Air cleaner oil	41039
Grease	87099
Differential oil (#5000)	53759
Damper oil (#400)	53443
Gel type thread lock	54032
Nylon band	50595
STICKER BAG	
Body sticker	19400976
Masking sticker	19400978
Caution sticker	
Aluminum glass tape (50×70mm)	53351

AFTER MARKET SERVICE
 When purchasing Tamiya replacement parts, please take or send this form to your local Tamiya dealer so that the parts required can be correctly identified and supplied. Please note that specifications, availability and price are subject to change without notice.

PARTS

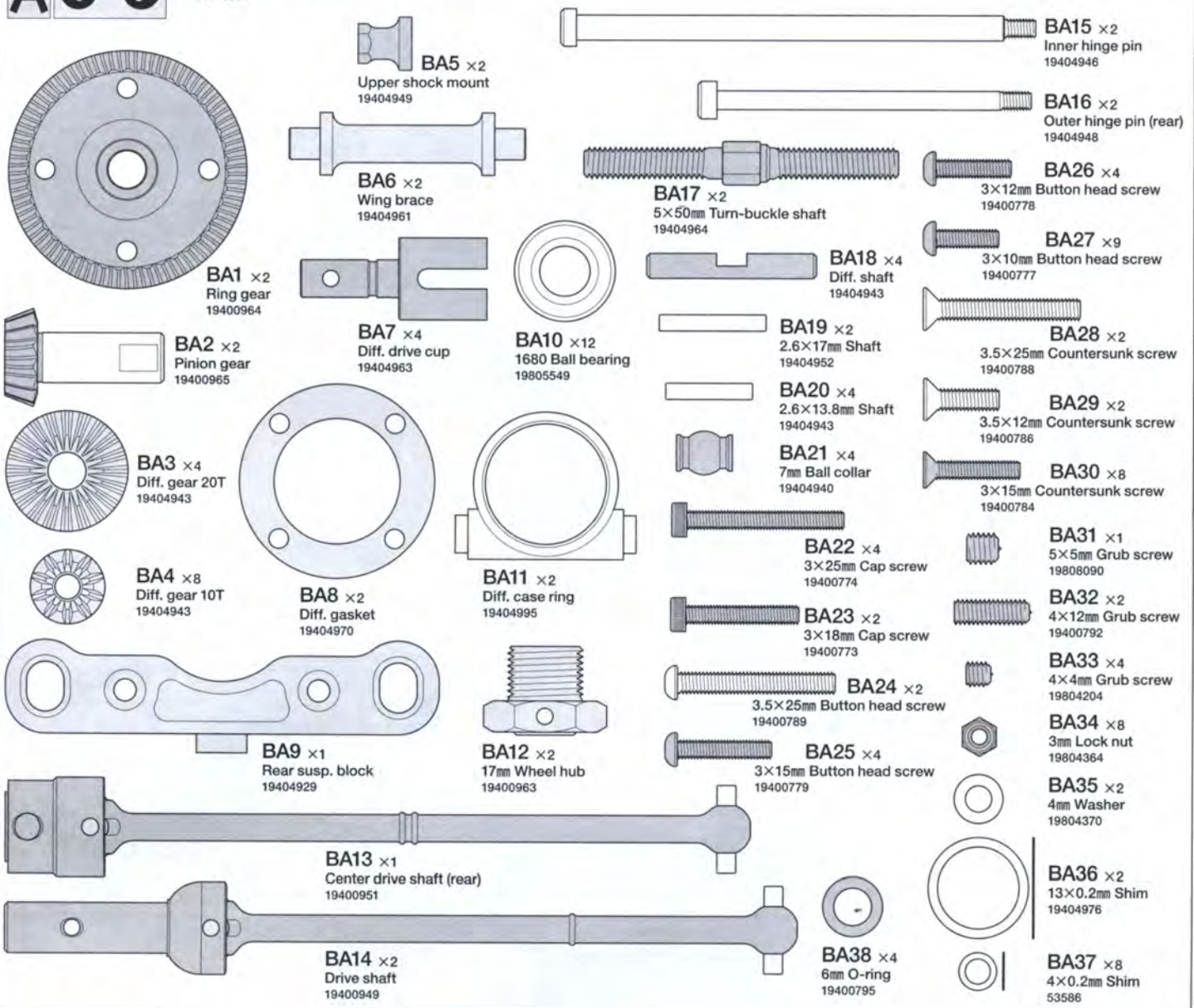
★Specifications are subject to change without notice.



A 1~7

Rear shock tower *x1
19400960

★Extra screws and nuts are included. Use them as spares.

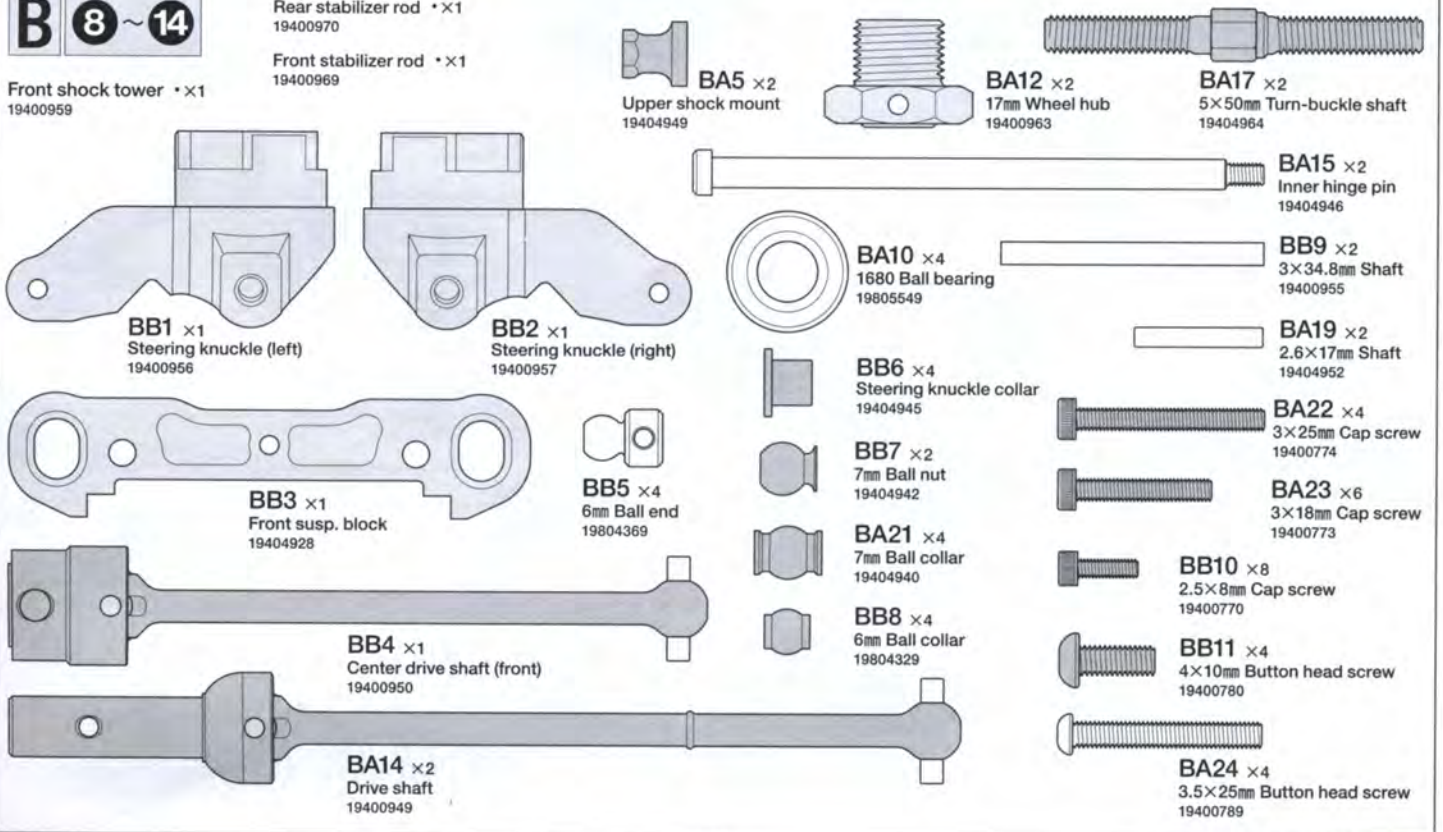


B 8~14

Rear stabilizer rod *x1
19400970

Front stabilizer rod *x1
19400969

Front shock tower *x1
19400959

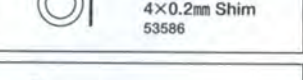
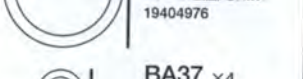
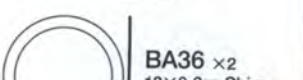
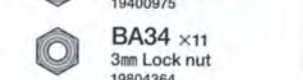
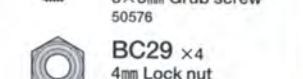
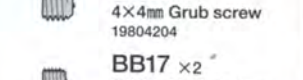
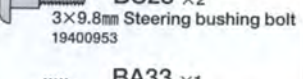
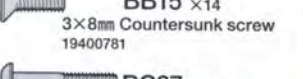
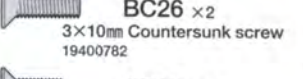
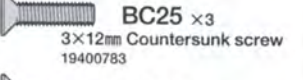
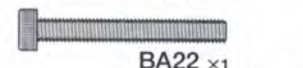
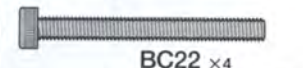
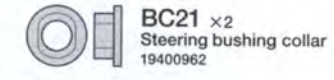
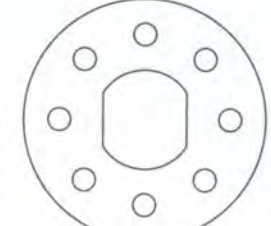
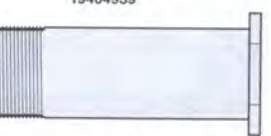
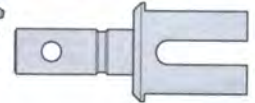
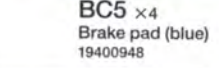
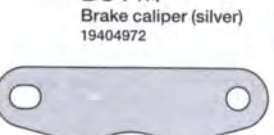
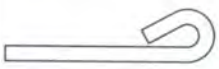
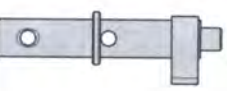
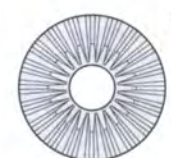


- B**
- BA27** ×6
3×10mm Button head screw
19400777
 - BB12** ×1
3×8mm Button head screw
19400776
 - BB13** ×2
2.5×6mm Button head screw
19400972
 - BB14** ×2
3.5×16mm Countersunk screw
19400787
 - BB15** ×2
3×8mm Countersunk screw
19400781
 - BA31** ×1
5×5mm Grub screw
19808090
 - BA32** ×2
4×12mm Grub screw
19400792
 - BA33** ×2
4×4mm Grub screw
19804204
 - BB16** ×4
3×4mm Grub screw
19400974
 - BB17** ×4
3×3mm Grub screw
50576
 - BA34** ×6
3mm Lock nut
19804364
 - BA35** ×2
4mm Washer
19804370

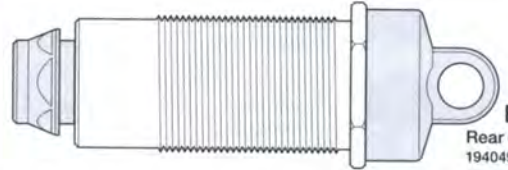
C 15 ~ 22

Front upper deck ×1
19400946

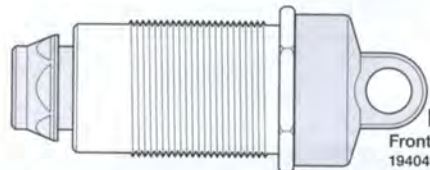
Center diff. upper deck ×1
19404919



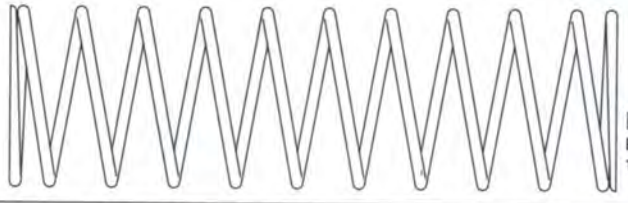
D 23 ~ 27



BD1 ×2
Rear damper body
19404921



BD2 ×2
Front damper body
19404920



BD3 ×2
Rear spring
19400997



BD4 ×2
Front spring
19400986

D

BD5 ×2
Front damper shaft
19404922

BD6 ×2
Rear damper shaft
19404923

BD7 ×4
Pre-load adjuster
19404924

BD8 ×4
18mm O-ring
19404924

BD9 ×4
Damper boot
19404992

BD10 ×4
Diaphragm
19404994

BD11 ×8
3.5mm Silicone O-ring
19404989

BA23 ×4
3×18mm Cap screw
19400773

BD12 ×4
2×6mm Cap screw
19400769

BA34 ×4
3mm Lock nut
19804364

BD13 ×4
3mm Washer
50586

BD14 ×4
2mm Spring washer
19400794

BB8 ×4
6mm Ball collar
19804329

E 28~33

Servo plate ×1
19400947

BE9 ×1
Plastic pipe (33mm)
16094008

BE4 ×1
Brake linkage rod (80mm)
19404987

BE5 ×1
Throttle linkage crank rod (61mm)
19400971

BE6 ×1
3×38mm Turn-buckle shaft
12520033

BE1 ×2
Brake linkage spring (short)
19404986

BE2 ×1
Throttle linkage spring (long)
19404985

BE3 ×3
Rod stopper
19804221

BE7 ×1
4mm Adjuster
10445563

BE8 ×2
Mount screw
19805886

BE10 ×1
Switch boot
19404990

BE11 ×2
Tank bushing
19404993

BE12 ×1
Overflow tube
19404991

BE13 ×2
3mm O-ring
19805240

BA25 ×10
3×15mm Button head screw
19400779

BA27 ×6
3×10mm Button head screw
19400777

BB12 ×4
3×8mm Button head screw
19400776

BC26 ×8
3×10mm Countersunk screw
19400782

BE14 ×4
2×10mm Cap screw
19805632

BD12 ×8
2×6mm Cap screw
19400769

BB17 ×4
3×3mm Grub screw
50576

Double-sided tape (20×40mm) ×1
50171

BA34 ×5
3mm Lock nut
19804364

BE15 ×2
2mm Lock nut
19805889

BA35 ×12
4mm Washer
19804370

BD13 ×4
3mm Washer
50586

BE16 ×2
2mm Washer
19805758

BE17 ×2
Snap pin (large)
50197

BE18 ×2
6mm Snap pin
19805702

F 34~39

Silicone tube (500mm)
×1
19404998

BF3 ×1
Muffler mount rod
19404982

BF4 ×2
1050 Ball bearing
19404999

BF5 ×1
Muffler mount
19404935

BF6 ×1
3mm Head washer
19404957

BF7 ×1
Pilot nut
19404958

BF8 ×1
Clutch collet
19404959

BF9 ×3
Clutch shoe
19404960

BF10 ×3
Clutch spring
19404983

BF11 ×1
Clutch bell
84039

BF12 ×1
Flywheel
19404959

BF13 ×4
12mm Wheel nut
19404950

BF14 ×4
4×10mm Flange cap screw
19400793

BF15 ×5
3×10mm Cap screw
19400771

BB15 ×1
3×8mm Countersunk screw
19400781

BB17 ×1
3×3mm Grub screw
50576

BF16 ×4
3mm Spring washer
50587

BF17 ×1
5×10×1mm Washer
19404975

BF18 ×1
5×20×0.2mm
Shim
19404974

BF19 ×1
5×0.1mm Shim
53587

BF20 ×1
5×0.2mm Shim
53587

BF21 ×1
5×0.3mm Shim
53587

BF22 ×1
3×0.1mm Shim
53585

BF23 ×4
3×0.2mm Shim
53585

BF24 ×1
3×0.3mm Shim
53585

BF1 ×1
Engine mount (right)
19400958

BF2 ×1
Engine mount (left)
19400958

14T

G 40~44

BB12 ×1
3×8mm Button head screw
19400776

BC25 ×2
3×12mm Countersunk screw
19400783

BG1 ×4
3×6mm Button head screw
19400973

BA34 ×2
3mm Lock nut
19804364

BG2 ×2
Wing washer
19805631

BG3 ×2
7mm Snap pin
50956

Velcro tape (20×50mm) ×1
19400977

Tool bag

Box wrench ×1
19404997

Hex wrench (3.0mm) ×1
12990058

Grease ×1
87099

Nylon band ×3
50595

Damper oil (#400) ×2
53443

Differential oil (#5000) ×1
53759

Air cleaner filter ×1
41064

Air cleaner oil ×1
41039

Gel type thread lock ×1
54032

Air cleaner parts bag
41063

Air cleaner cap ×1

Air cleaner housing ×1

Air cleaner pipe ×1

3×6mm Screw ×1

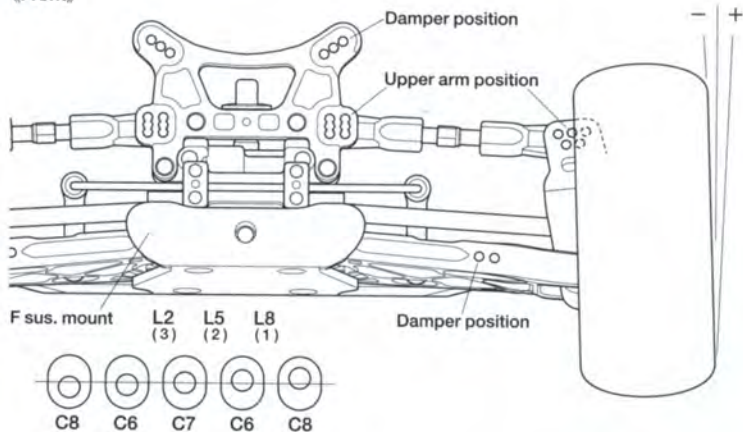
Anaerobic Gel
AG
THREAD LOCK
ネジロック剤
NOT EDIBLE 1g

SETTING SHEET

Name _____ Date _____ Air temp. _____ Humidity _____

Track _____ Track condition _____ Track temp. _____

《Front》



Camber angle _____ °

Ground clearance _____ mm

Rebound stroke _____ mm

Stabilizer _____

Front diff. fluid _____ #

Memo _____



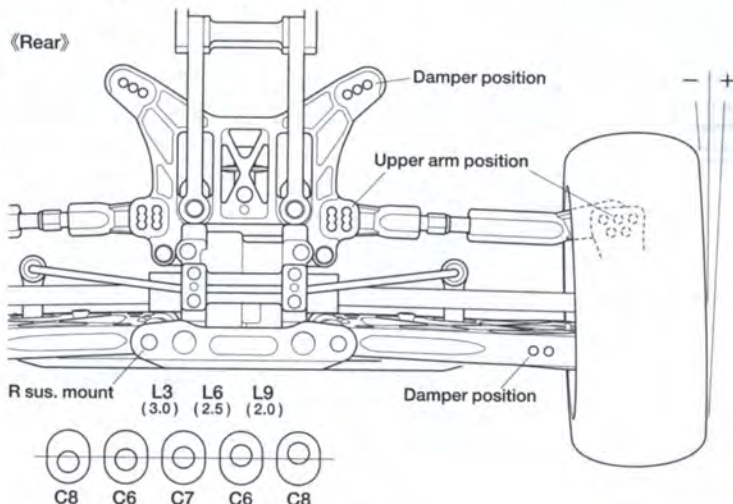
Front damper

Piston Y1 Y2 Y3
(φ1.2) (φ1.3) (φ1.4)

Oil _____ #

Spring _____

《Rear》



Camber angle _____ °

Ground clearance _____ mm

Rebound stroke _____ mm

Stabilizer _____

Rear diff. fluid _____ #

Memo _____



Rear damper

Piston Y1 Y2 Y3
(φ1.2) (φ1.3) (φ1.4)

Oil _____ #

Spring _____

Toe angle (front) _____ °

Center diff. fluid _____ #

R sus. arm spacer _____

Wing _____

Engine _____

Plug _____

Spur gear _____

Pinion gear _____

Clutch spring _____

Muffler _____

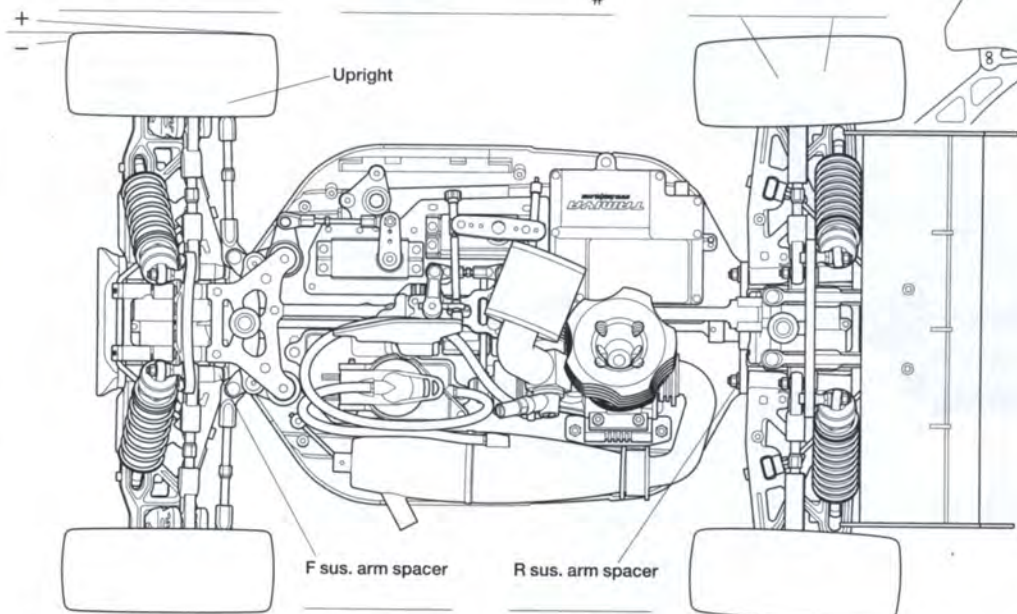
Fuel _____

Tire _____

Wheel _____

Tire insert _____

Best lap _____



Memo _____